

TGM25-075-26 Series Spec Sheet



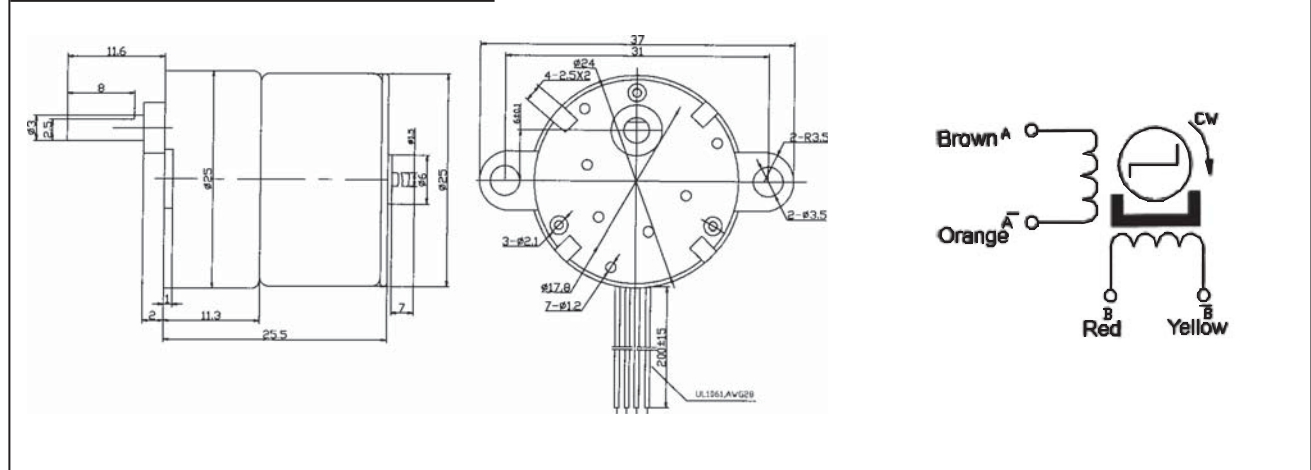
- Permanent Magnet Stepper Gear Motor
- High Torque in a Small Package at a Low Cost
- 4000 g-cm of Max Torque (140 oz-in)
- 25mm Diameter
- 5:1, 10:1 and 30:1 Gear Ratios

Specifications

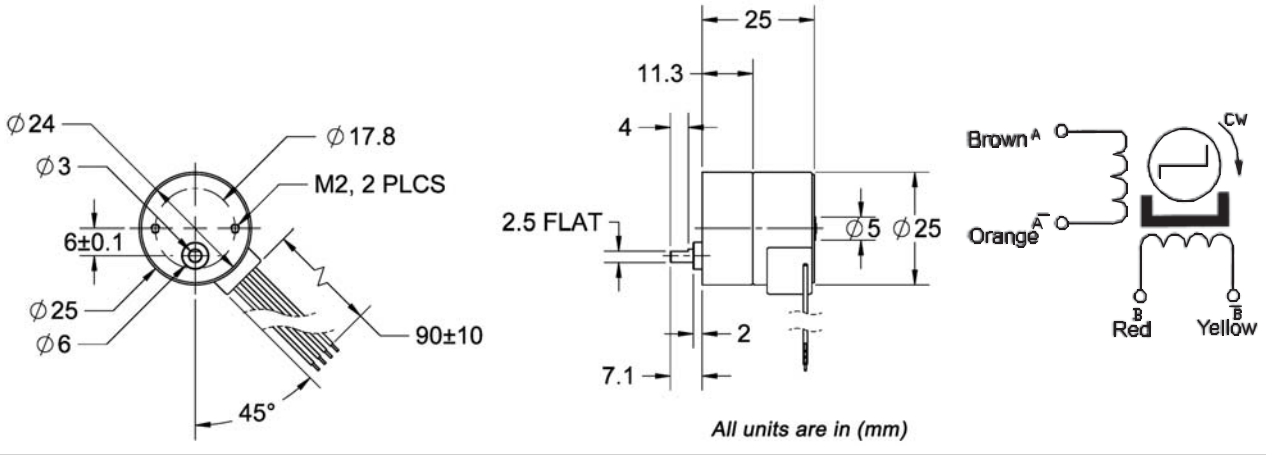
Item	Specifications
Step Angle Accuracy	± 7% (Full Step, No Load)
Resistance Accuracy	± 10%
Temperature Rise	80° C Max
Ambient Temperature	-20° C to + 50°C
Insulation Resistance	100M Ω Min., 500VDC
Dielectric Strength	500VAC for One Minute

Model	Step Angle (deg)	Gear Ratio	# Of Wires	Voltage (V)	Current Per Phase (A)	Resistance Per Phase	Holding Torque (g-cm)	Detent Torque (g-cm)
TGM25075-26-3V-052A-5R-LW4	7.5	5:1	4	2.6	0.52	5.0	450	150
TGM25-075-26-3V-047A-10R-LW4	7.5	1:10	4	2.8	0.47	5.96	1400	500
TGM25-075-26-13V-011A-30R-LW6	7.5	1:30	6	13.3	0.11	120.91	4000	1400

TGM25-075-26-3V-052A-5R-LW4



TGM25-075-26-3V-047A-10R-LW4



TGM25-075-26-13V-011A-30R-LW6

