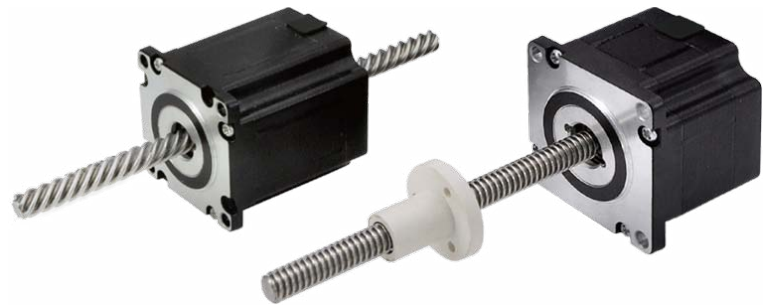


# 23AW Stepper Linear Actuators



## FEATURES

- NEMA Size 23
- Motor Winding Options Available
- Custom Lead Screw Lengths
- Stepper Motor with Internal Nut
- Self Contained Package with Ball Bearings
- 1.8° Step Angle
- Multiple Lead Screw Thread Options
- 0.007938mm, 0.0127mm, or 0.0254mm Per Full Step

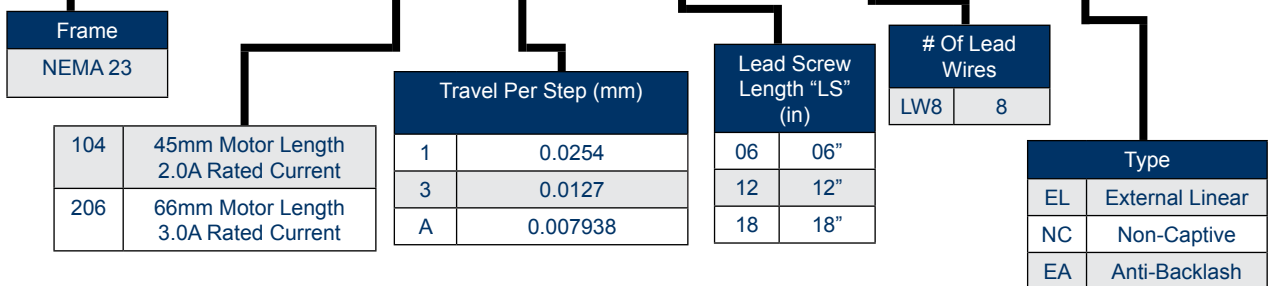


## DESCRIPTION

Anaheim Automation's 23AW leadscrew Stepper Motors were designed to be the most versatile linear position motors in today's market. These robust linear actuators, available in non-captive, external linear, or anti-backlash options, use a NEMA 23 hybrid stepper motor, and can be easily configured to solve difficult application problems. Integration of a leadscrew with a motor saves space, eliminates components, and reduces cost. While many standard configurations are available, custom modifications for OEM customers are welcome.

## BUILD A PART NUMBER

# 23AW1041X12-LW8-NC



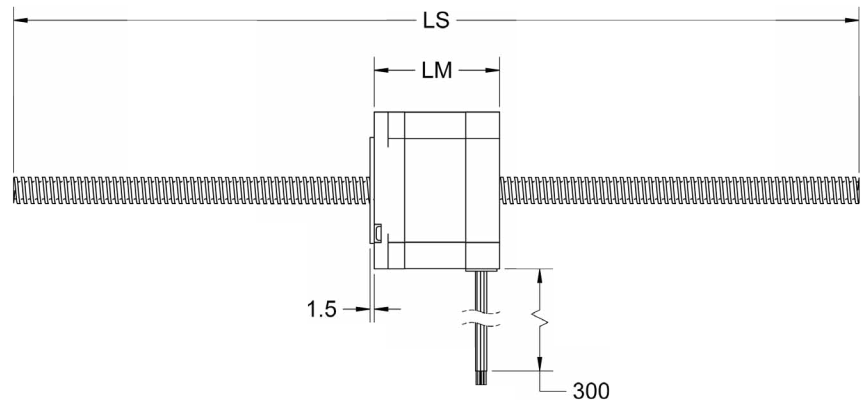
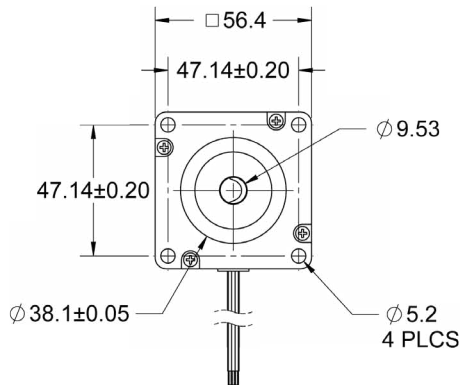
**Note:** See *Accessories* on our website for optional encoder and/or connector adders.

L011514

Motor Specifications							
Model Number	Voltage (V)	Unipolar Current (A)	Resistance (ohms)	Inductance (mH)	Number of Leads	Motor Weight (lbs)	Motor Length (mm)
23AW104	3.2	2.0	1.62 ± 10%	1.9 ± 20%	8	1.25	45.2
23AW206	3.0	3.0	1.0 ± 10%	1.6 ± 20%	8	2.18	66.0

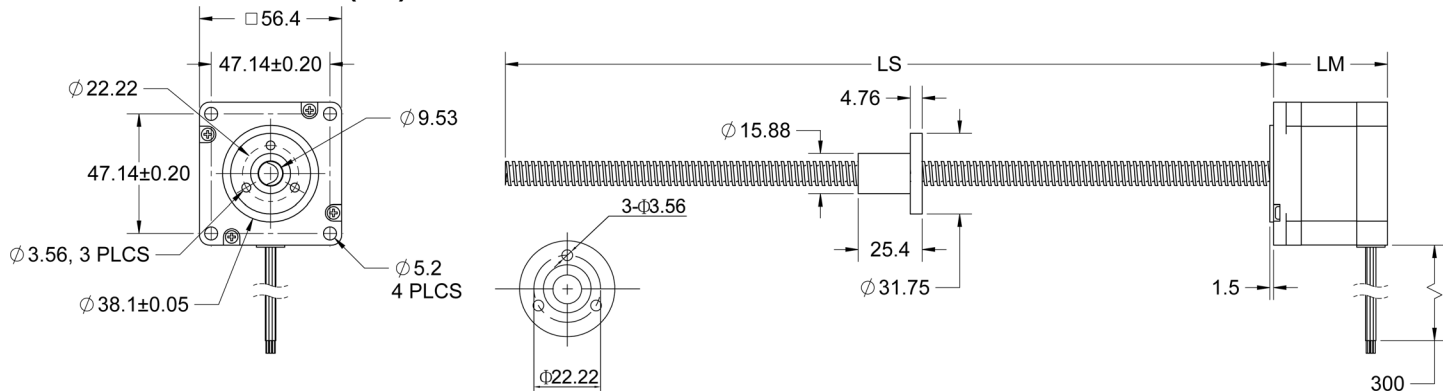
Leadscrew Thread Dimension (mm)			
Code	Diameter	Step	Lead
1	9.53	0.0254	5.08
3	9.53	0.0127	2.54
A	9.53	0.007938	1.5876

**23AW Non-Captive (NC)**



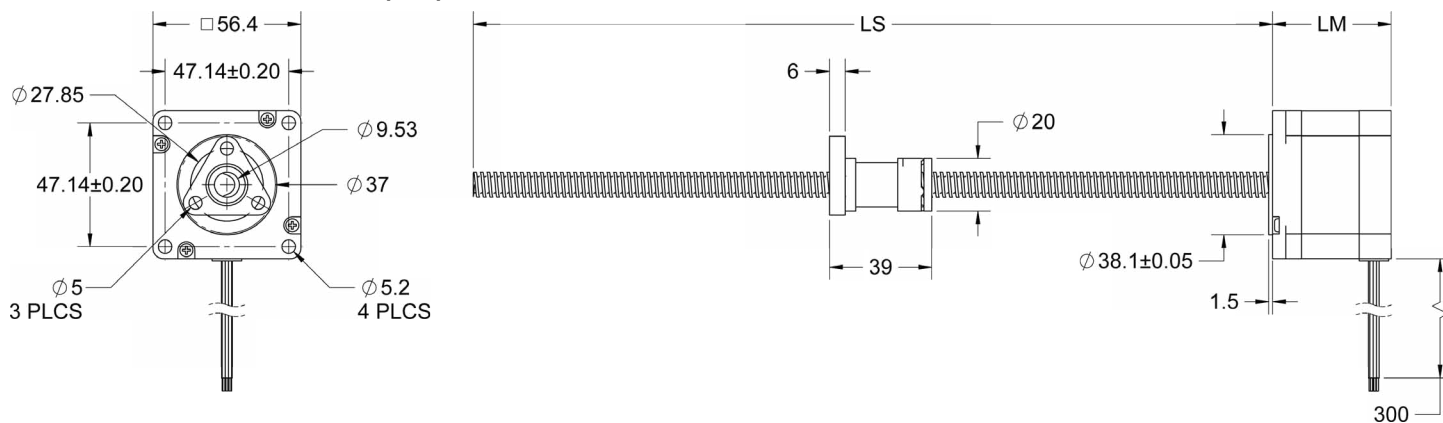
Units are in Millimeters

### 23AW External Linear (EL)

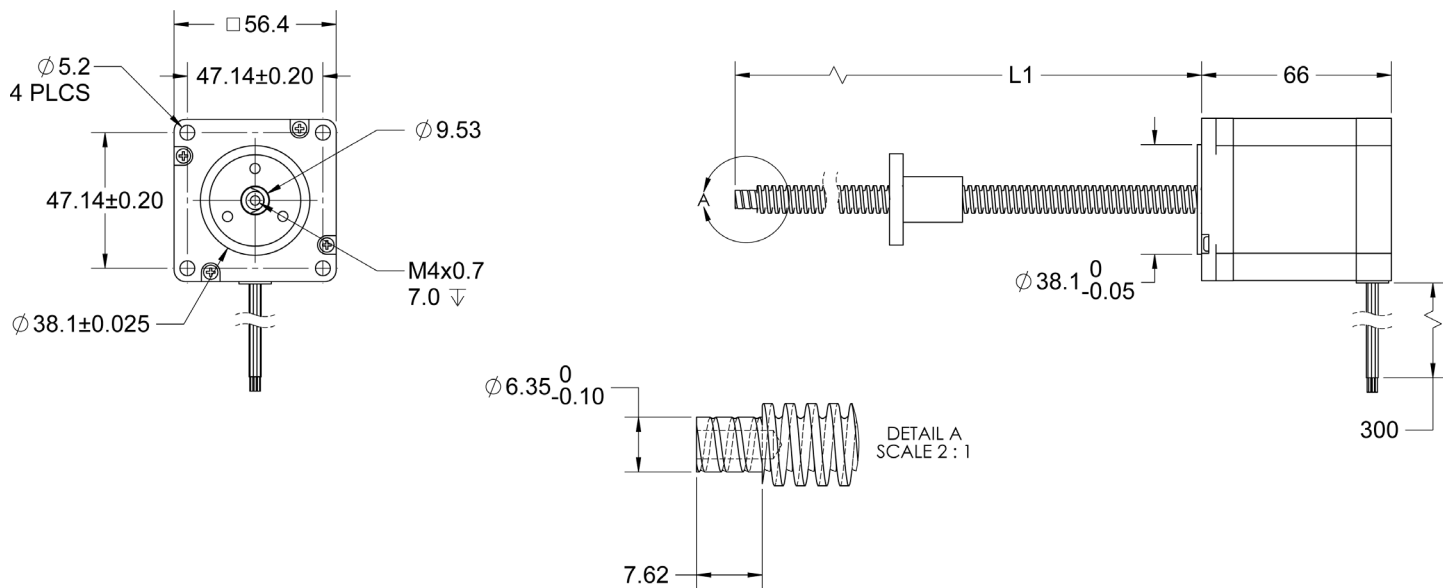


### 23AW Anti-Backlash Nut(EA)

Units are in Millimeters



### EL-01



DIMENSIONS

WIRING INFORMATION

