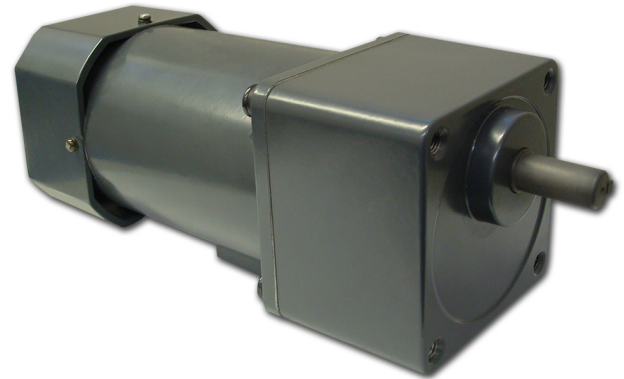


ACWGM025-080-085 AC Gearmotor

FEATURES

- **AC Gearmotor**
- **80mm Motor Diameter**
- **Up to 1132 oz-in of Torque**
- **Fourteen Gear Ratios from 3.6 to 180**
- **Can be Customized for**
 - **Winding Current**
 - **Shaft Options**
 - **Cables and Connector Adders**



DESCRIPTION

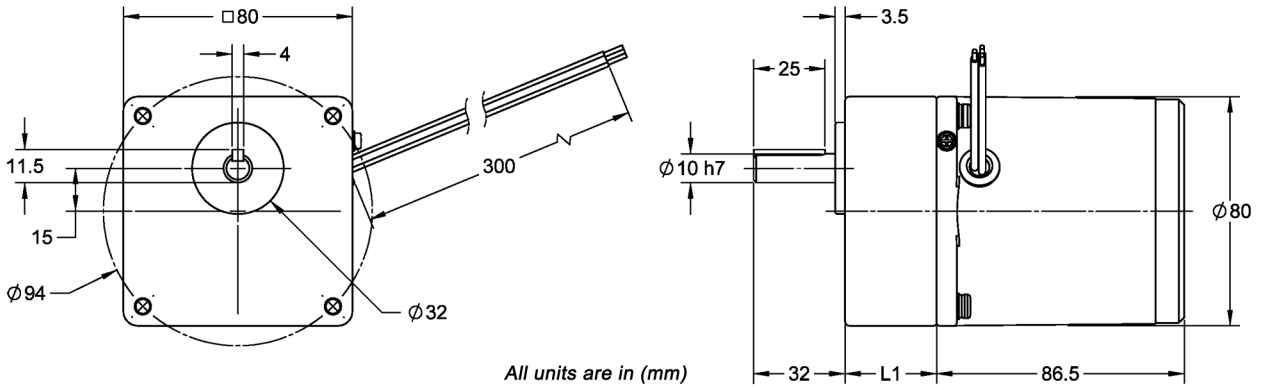
Anaheim Automation's AC Gearmotors come in a variety of starting torques, ending torques and current. The ACWGM025-080-085 AC Gearmotor has a starting torque of 20 oz-in. This series is available in fourteen gear ratios ranging from 3.6 to 180. These motors run at up to 500 RPM with single phase 110 VAC, 60 Hz. The ACWGM025-080-085 offers torque ranges up to 1132 oz-in. Other models are available to provide even higher torque ranges. Custom options for the AC Gearmotor line include optimizing the maximum speed, torque, current, voltage, cabling, wiring, connectors, and shaft modifications.

SPECIFICATIONS

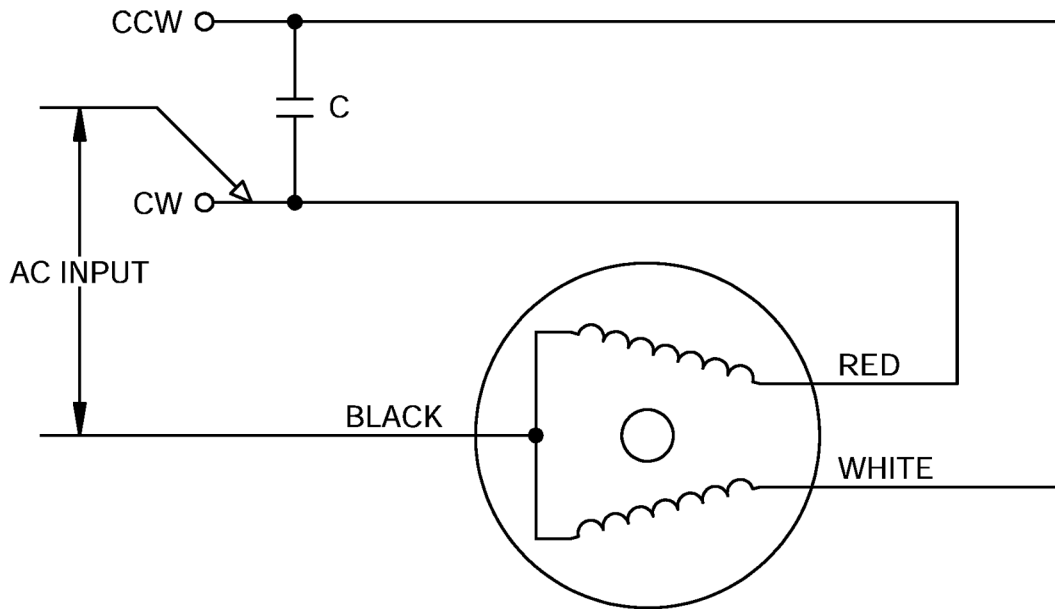
Model #	Input Voltage (VAC)	Gear Ratio	Power (W)	Current (A)	Motor Speed (RPM)	Start Torque (oz-in)	Rated Torque (oz-in)	Motor Diameter (mm)	Motor Length (mm)	Weight (lbs)
ACWGM025-080-085-110-1500-R3.6	110	3.6	25	0.48	500	19.83	65.14	80	117	2.87
ACWGM025-080-085-110-1500-R6	110	6	25	0.48	300	19.83	109.04	80	117	2.87
ACWGM025-080-085-110-1500-R9	110	9	25	0.48	200	19.83	164.27	80	117	2.87
ACWGM025-080-085-110-1500-R10	110	10	25	0.48	180	19.83	182.68	80	117	2.87
ACWGM025-080-085-110-1500-R15	110	15	25	0.48	120	19.83	273.31	80	117	2.87
ACWGM025-080-085-110-1500-R18	110	18	25	0.48	100	19.83	328.54	80	129	2.90
ACWGM025-080-085-110-1500-R20	110	20	25	0.48	90	19.83	365.36	80	129	2.90
ACWGM025-080-085-110-1500-R30	110	30	25	0.48	60	19.83	492.81	80	129	2.90
ACWGM025-080-085-110-1500-R36	110	36	25	0.48	50	19.83	590.52	80	129	2.90
ACWGM025-080-085-110-1500-R40	110	40	25	0.48	45	19.83	657.08	80	129	2.90
ACWGM025-080-085-110-1500-R60	110	60	25	0.48	30	19.83	886.49	80	129	2.90
ACWGM025-080-085-110-1500-R90	110	90	25	0.48	20	19.83	1132.90	80	129	2.90
ACWGM025-080-085-110-1500-R120	110	120	25	0.48	15	19.83	1132.90	80	129	2.90
ACWGM025-080-085-110-1500-R180	110	180	25	0.48	10	19.83	1132.90	80	129	2.90

L010492

DIMENSION



WIRING INFORMATION



SPECIFICATIONS

Capacitor: $\mu\text{F}/\text{VAC}$	6 / 250	Phase:	Single-Phase
Frequency:	60Hz	AC Motor Type:	Reversible
Radial Play:	55.12lb - Force @ 20mm	Operating Temperature	10°F to 131°F
Thrust Play:	11.02 lb - Force	Humidity:	90%