

# ACI-PMCB040 AC Industrial Motor



## FEATURES

- **400 Watts of Power**
- **IEC Frame Size 71**
- **Three Phase AC Motor**
- **Insulation Class F**
- **Rugged Exterior: IP55 Rated**
- **Foot (leg) Mount OR Flange Mount**
- **Duty Rating: Continuous**
- **Total Enclosed Fan Cooled**



## DESCRIPTION

Anaheim Automation's AC Industrial Motors come in two different mounting options: Leg (foot) mount and the flange mount option. Both the ACI-PMCB040-4R4LAT and the ACI-PMCB040-4R4FAT run up to 1730 RPM and deliver 400 Watts of power. All of our ACI PMCB040 AC Industrial motors are 3 phase, and can be wired to run off of 220VAC or 380VAC at a frequency of 60Hz.

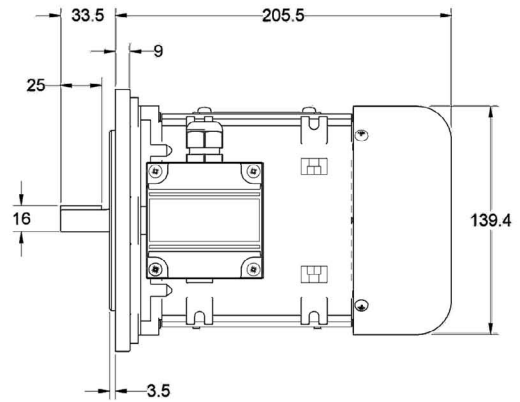
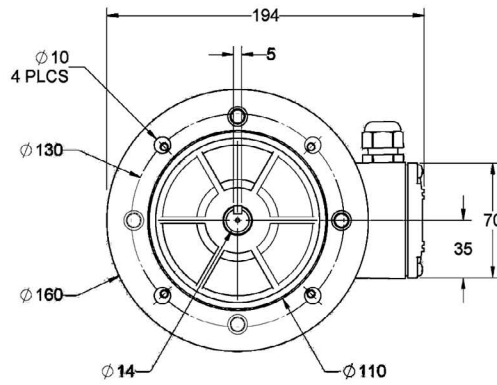
## SPECIFICATIONS

Model #	Input Voltage (VAC)	Mounting Type	Power (W)	Rated Motor Speed (RPM)	Rated Motor Torque (oz-in)	Motor Length (mm)	Weight (lbs)	IP Rating	Motor Poles	Insulation Class
ACI-PMCB040-4R4LAT	220/380	Foot (leg)	400	1730	319	71	13.9	IP55	4	F
ACI-PMCB040-4R4FAT	220/380	Flange	400	1730	319	71	13.9	IP55	4	F

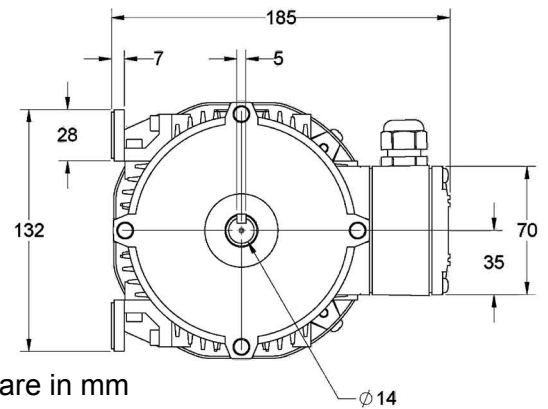
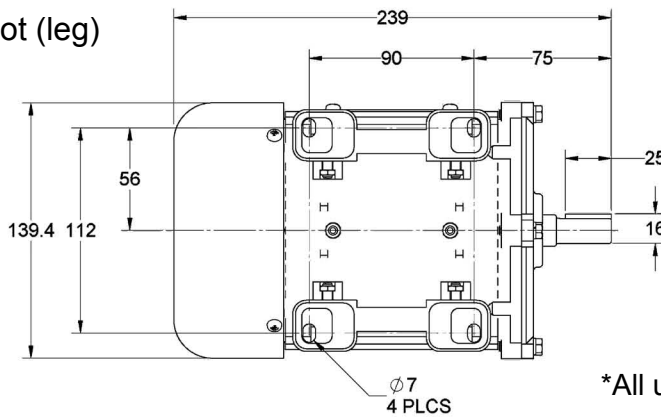
L010774

DIMENSIONS

Flange



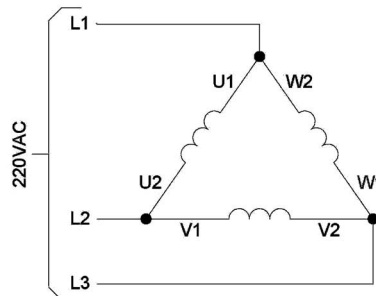
Foot (leg)



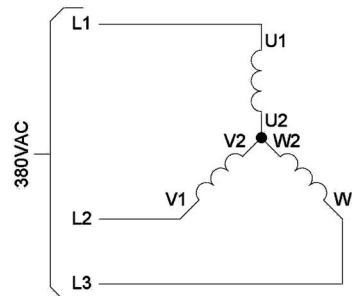
\*All units are in mm

WIRING INFORMATION

220VAC WIRING FOR ACI-PM MOTORS



380VAC WIRING FOR ACI-PM MOTORS



SPECIFICATIONS

Capacitor: $\mu\text{F}/\text{VAC}$	Not Required	Duty Cycle:	Continuous
Phase:	Three-Phase	Ambient Temp:	-10°C ~ 40°C
Frequency:	60Hz	Ambient Humidity:	Under 85% without Condensation
AC Motor Type	Industrial	Insulation Rating	F (155°C)