

# ACI-200FB AC Industrial Gearmotor



## FEATURES

- **Flange-Mount Gearmotor**
- **Power: 200 Watts**
- **Gear Ratios from 5:1 to 200:1**
- **Frequency: 60Hz**
- **Three-Phase Operation**
- **IP55 Rated**
- **Class F Insulation**
- **High Starting Torque for High Inertia Loads**
- **Long Lifetime**



## DESCRIPTION

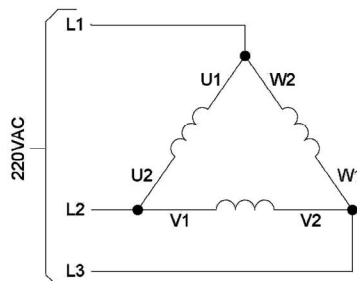
Anaheim Automation's Industrial Gearmotors offer high-quality and affordability with a wide variety of options to choose from. These 200 Watt gearmotors are offered in the flange mounting option and top-centered terminal box and brake, and are available in a variety of sizes and gear ratios. They run off of a three-phase power supply, and depending on the wiring configuration can operate at 220VAC or 380VAC. For assistance in selecting the appropriate AC Industrial Gearmotor, please contact an AnaheimAutomation Applications Engineer.

## SPECIFICATIONS

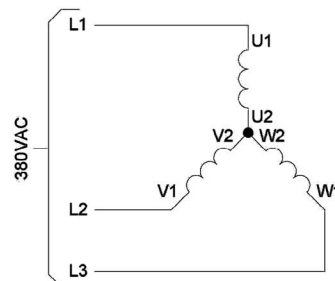
Capacitor: uF/VAC	Not Required	Duty Cycle:	Continuous
Phase:	Three-Phase	Ambient Temp:	-10°C ~ 40°C
Frequency:	60Hz	Ambient Humidity:	Under 85% without Condensation
AC Gearmotor Type	Industrial	Insulation Rating	F (155°C)

## WIRING INFORMATION

### 220VAC WIRING FOR ACI GEARMOTORS



### 380VAC WIRING FOR ACI GEARMOTORS



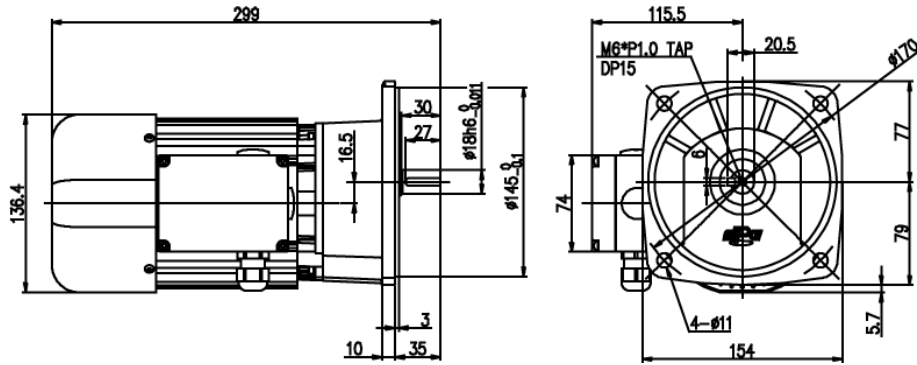
L010931

Model #	Gear Ratio	Output Shaft Diameter (mm)	Rated Torque (oz-in)	Gearmotor Speed (RPM)	Permissible OHL (lbs)	Input Voltage (VAC)	Current (A)	Gearmotor Length (in)	Weight (lbs)
ACI-200FDRT-18-005	5:1	18	708	343	132	220/380	1.1/0.6	9.2	14.5
ACI-200FDRT-18-010	10:1	18	1,388	171	198	220/380	1.1/0.6	9.2	14.5
ACI-200FDRT-18-015	15:1	18	2,082	114	220	220/380	1.1/0.6	9.2	14.5
ACI-200FDRT-18-020	20:1	18	2,918	86	265	220/380	1.1/0.6	9.2	14.5
ACI-200FDRT-18-025	25:1	18	3,611	69	286	220/380	1.1/0.6	9.2	14.5
ACI-200FDRT-22-030	30:1	22	4,305	57	396	220/380	1.1/0.6	9.8	17.1
ACI-200FDRT-22-040	40:1	22	5,551	43	418	220/380	1.1/0.6	9.8	17.1
ACI-200FDRT-22-050	50:1	22	6,939	34	440	220/380	1.1/0.6	9.8	17.1
ACI-200FDRT-22-060	60:1	22	8,327	29	486	220/380	1.1/0.6	9.8	17.1
ACI-200FDRT-22-080	80:1	22	11,102	21	551	220/380	1.1/0.6	9.8	17.1
ACI-200FDRT-22-100	100:1	22	11,386	17	551	220/380	1.1/0.6	9.8	17.1
ACI-200FDRT-28-100	100:1	28	13,878	17	638	220/380	1.1/0.6	10.1	21.8
ACI-200FDRT-28-120	120:1	28	16,569	14	749	220/380	1.1/0.6	10.1	21.8
ACI-200FDRT-28-160	160:1	28	22,091	11	771	220/380	1.1/0.6	10.1	21.8
ACI-200FDRT-28-200	200:1	28	27,614	9	771	220/380	1.1/0.6	10.1	21.8
ACI-200FDXT-18-005	5:1	18	708	342	132	400/440	0.5/0.5	9.2	14.5
ACI-200FDXT-18-010	10:1	18	1,388	171	198	400/440	0.5/0.5	9.2	14.5
ACI-200FDXT-18-015	15:1	18	2,082	114	220	400/440	0.5/0.5	9.2	14.5
ACI-200FDXT-18-020	20:1	18	2,918	86	265	400/440	0.5/0.5	9.2	14.5
ACI-200FDXT-18-025	25:1	18	3,611	68	286	400/440	0.5/0.5	9.2	14.5
ACI-200FDXT-22-030	30:1	22	4,305	57	396	400/440	0.5/0.5	9.8	17.1
ACI-200FDXT-22-040	40:1	22	5,551	43	418	400/440	0.5/0.5	9.8	17.1
ACI-200FDXT-22-050	50:1	22	6,939	34	440	400/440	0.5/0.5	9.8	17.1
ACI-200FDXT-22-060	60:1	22	8,327	29	486	400/440	0.5/0.5	9.8	17.1
ACI-200FDXT-22-080	80:1	22	11,102	21	551	400/440	0.5/0.5	9.8	17.1
ACI-200FDXT-22-100	100:1	22	11,386	17	551	400/440	0.5/0.5	9.8	17.1
ACI-200FDXT-28-100	100:1	28	13,878	17	638	400/440	0.5/0.5	10.1	21.8
ACI-200FDXT-28-120	120:1	28	16,569	14	749	400/440	0.5/0.5	10.1	21.8
ACI-200FDXT-28-160	160:1	28	22,091	11	771	400/440	0.5/0.5	10.1	21.8
ACI-200FDXT-28-200	200:1	28	27,614	9	771	400/440	0.5/0.5	10.1	21.8

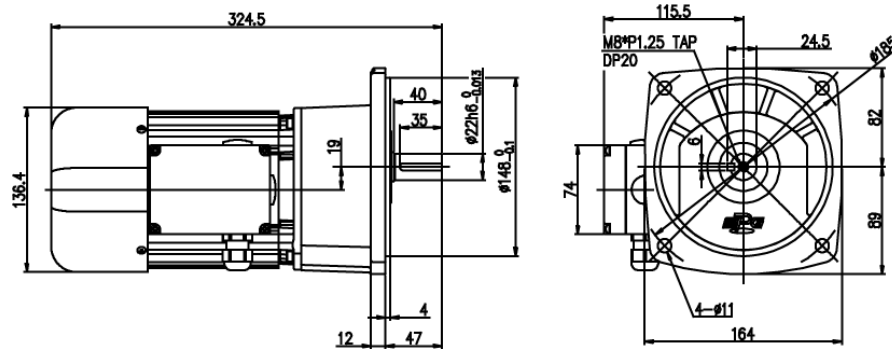
Note: Ratios 5:1 through 30:1 the gearbox output shaft spins in the same direction as the motor. Ratios 40:1 through 200:1 the gearbox output shaft spins in the opposite direction.

Note: Application of Permissible Overhung Load (OHL) is based on the center of output shaft extraction length.

**ACI-200FDxL-18-xxx**



**ACI-200FDxL-22-xxx**



**ACI-200FDxL-28-xxx**

