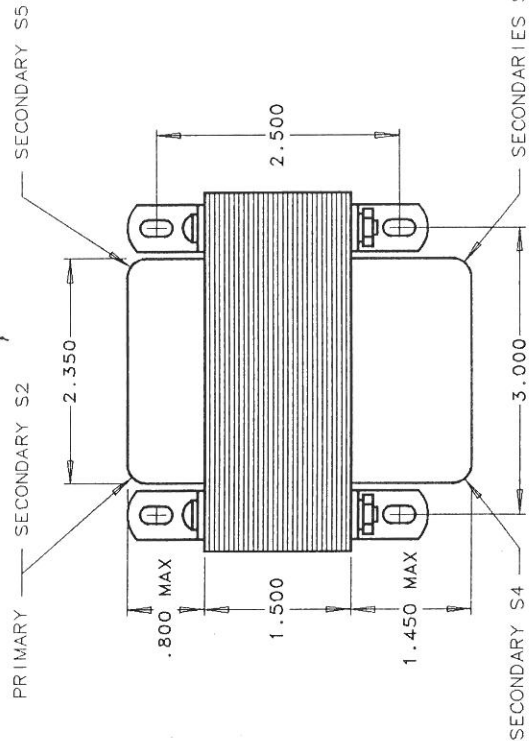


REV	DESCRIPTION	DATE	APPROVED

**AA2792**  
 ANAHEIM AUTOMATION  
 (714) 992-6990  
 DATE

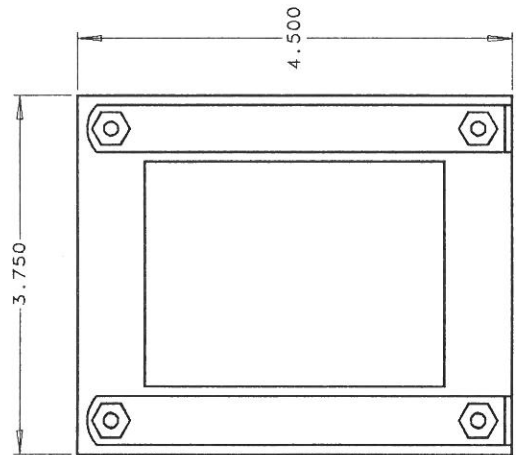
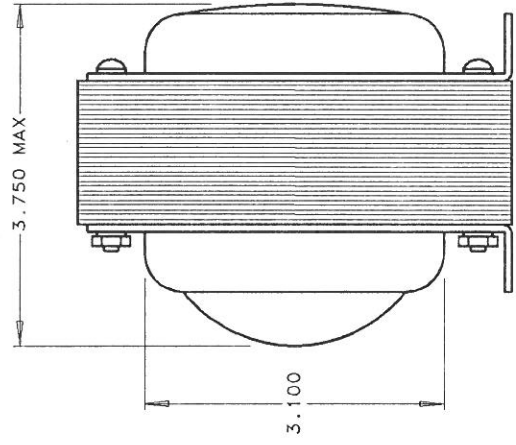
TRANSFORMER LABEL



WINDING	VOLTS	FL	WIRE	REMARKS
● S1	10.5 VAC	NL	2A FL	ORG
● S2	39.6 VAC	NL	3.75A FL	YEL/BLK
● S3	39.6 VAC	NL	3.75A FL	YEL/BLK
● S4	4.49 VAC	NL	12A FL	RED/BLK
● S5	4.49 VAC	NL	12A FL	RED/BLK

105VAC MIN  
 115VAC NOM  
 125VAC MAX  
 50/60 HRTZ

BLACK  
 WHT/BLK



NOTES:

- SECONDARIES S2 & S3 SHOULD BE WOUND NEXT TO THE CORE AND DESIGNED FOR THE HIGHEST POSSIBLE VA RATING.
- ASSUME THEY ARE THE ONLY SECONDARIES IN USE.
- THE PRIMARY TO SECONDARY TURNS RATIO SHOULD BE DESIGNED TO PROVIDE 4.49 VOLTS ON S4 & S5 WITH 115 VAC APPLIED.
- MAKE ALL LEADS APPROXIMATELY 14 INCHES LONG.
- MAKE ALL LEAD WIRES 16 GAUGE.
- APPROXIMATE WEIGHT 9 POUNDS.
- USE GRAIN ORIENTED M6 LAMINATION MATERIAL.

<b>ANAHEIM AUTOMATION</b> ANAHEIM, CA. 92801		TITLE TRANSFORMER, 300VA
USE SPECIFICATIONS UNLESS OTHERWISE SPECIFIED. .XXX = .003 O. .XX = .002 O. .X = .001 O. ANGLES = 1/8 DEG.	APPROVALS NAME T. D. RAINES DATE 2/14/92	SIZE DRAWING NO. <b>C AA2792</b>
FINISH AA2300F-DRIVER	MATERIAL TRANSFORMER, 300VA	REV. SCALE 1/1 SHEET 2 OF 2