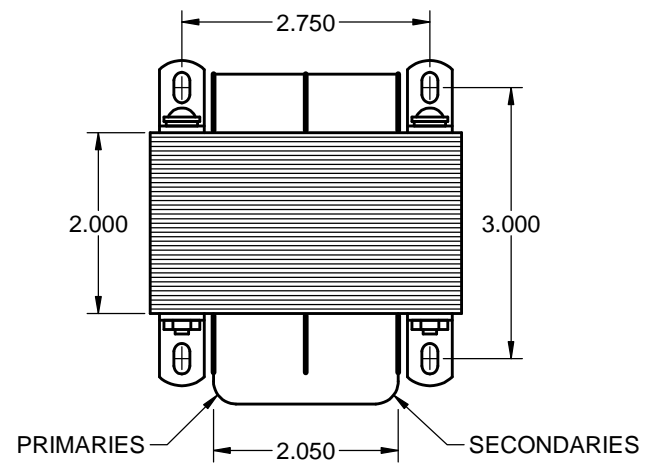
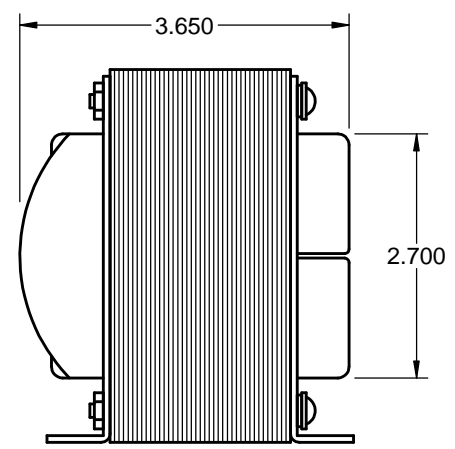
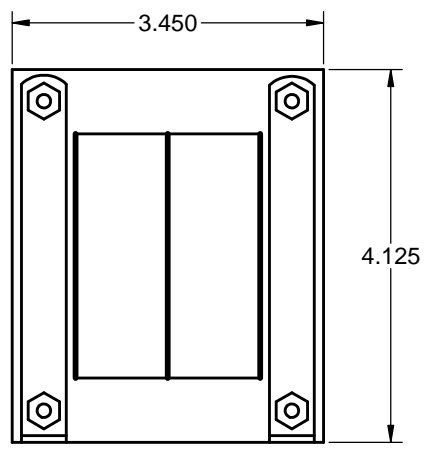


REVISIONS			
REV	DESCRIPTION	DATE	APPROVED



15VAC NOM 50/60 HZ	BLUE 16GA	•	S1 ORANGE 20GA	
	14.9V NL	⊗	10.5V NL 2A FL	
	WHT/BLUE 16GA	⊗	ORANGE 20GA	
105VAC LOW 115VAC NOM 125VAC HIGH 50/60 HZ	BLACK 16GA	•	S2 YELLOW/BLACK	
	WHITE/BLK 16GA	⊗	39.6V NL	①
		⊗	YELLOW/BLACK	
105VAC LOW 115VAC NOM 125VAC HIGH 50/60 HZ	BROWN 16GA	•	S3 RED/BLACK	
	WHT/BRN 16GA	⊗	4.49V NL 15A FL	②
		⊗	RED/BLACK	



**AA2977-1**  
**ANAHEIM AUTOMATION**  
 PH: (714) 992-6990  
 CE      DATE :  
 TRANSFORMER LABEL

1. SECONDARY S2 IS WOUND NEXT TO THE CORE AND DESIGNED FOR THE HIGHEST POSSIBLE VA RATING. ASSUME S2 IS THE ONLY SECONDARY IN USE.
2. THE PRIMARY TO SECONDARY TURNS RATIO SHOULD BE DESIGNED TO PROVIDE 4.49V ON S3 WITH 115VAC APPLIED.
3. MAKE PRIMARY LEADS APPROXIMATELY 24 INCHES LONG.
4. MAKE SECONDARY LEADS APPROXIMATELY 24 INCHES LONG.
5. APPROXIMATE WEIGHT 9 POUNDS.
6. USE GRAIN ORIENTED (M6) LAMINATION MATERIAL.

		<b>ANAHEIM AUTOMATION</b> 910 EAST ORANGEFAIR LANE ANAHEIM, CA. 92801-1195			
				TRANSFORMER, 300VA CE CERTIFIED	
<small>THIS DRAWING OR DOCUMENT AND THE INFORMATION SET FORTH HEREIN ARE THE PROPERTY OF ANAHEIM AUTOMATION AND SHALL NOT BE USED OR DISCLOSED EXCEPT IN ACCORDANCE WITH ITS WRITTEN PERMISSION.</small>		TITLE TRANSFORMER, 300VA CE CERTIFIED	DATE 5-23-01	DRAWING NO. <b>AA2977-1</b>	REV. 1
REFERENCE DRAWINGS UNLESS OTHERWISE SPECIFIED: DIMS ±.005 DIA ±.005 ANGLES ±.5 DEGREES	MATERIAL M6	FINISH NONE	SIZE <b>C</b>	SCALE 1/1	MODEL T
DRAWN: T. RAINES      APPROVED:		SHEET 1 OF 1			