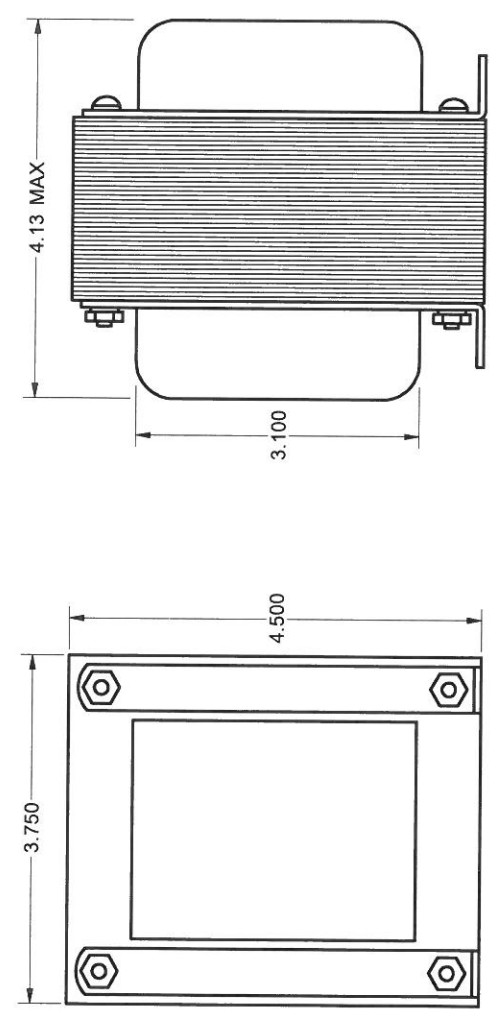


15VAC NOM 50 / 60 HRTZ	BLUE 14.9 VAC NL WHT/BLUE	S1 ORG 10.5 VAC NL 2A FL ORG
105VAC MIN 115VAC NOM 125VAC MAX 50/60 HRTZ	BLACK WHT/BLK	S2 YEL/BLK 39.6 VAC NL 3.75A FL YEL/BLUE
105VAC MIN 115VAC NOM 125VAC MAX 50/60 HRTZ	BROWN WHT/BRN	S3 YEL/BLK 39.6 VAC NL 3.75A FL YEL/BLUE
		S4 RED/BLK 4.49 VAC NL 12A FL RED
		S5 RED/BLK 4.49 VAC NL 12A FL RED



- NOTES:
- SECONDARIES S2 & S3 SHOULD BE WOUND NEXT TO CORE AND DESIGNED FOR THE HIGHEST POSSIBLE VA RATING.
 - ASSUME THEY ARE THE ONLY SECONDARIES IN USE.
 - THE PRIMARY TO SECONDARY TURNS RATIO SHOULD BE DESIGNED TO PROVIDE 4.49 VOLTS ON S4 & S5 WITH 115 VAC APPLIED.
 - MAKE ALL LEADS APPROXIMATELY 14 INCHES LONG.
 - MAKE ALL LEAD WIRES 16 GAUGE.
 - APPROXIMATE WEIGHT 10 POUNDS.
 - USE GRAIN ORIENTED M6 LAMINATION MATERIAL.

ANAHEIM AUTOMATION
 910 EAST ORANGEFAIR LANE
 ANAHEIM, CA. 92801-1195

TRANSFORMER, 400VA

DATE: 2-14-97
 DRAWING NO: AA3075

SCALE: 1/1" MODEL: SHEET: 1 OF 2

DESIGNED BY: T. RAINES
 DRAWN BY: T. RAINES
 APPROVED: [Signature]