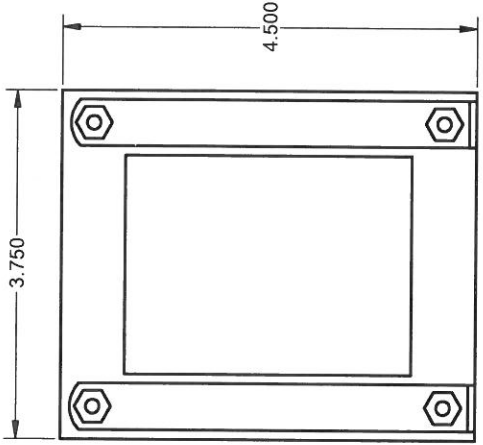
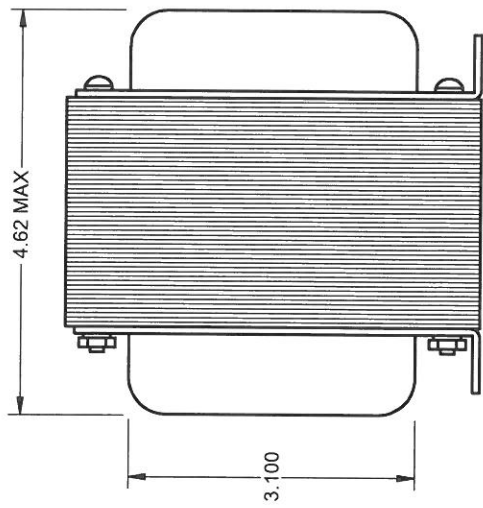


15VAC NOM 50 / 60 HRTZ	BLUE 14.9 VAC NL WHT/BLUE	S1 ORG 10.5 VAC NL 2A FL ORG
105VAC MIN 115VAC NOM 125VAC MAX 50/60 HRTZ	BLACK WHT/BLK	S2 YEL/BLK 39.6 VAC NL 6.3A FL YEL/BLUE
105VAC MIN 115VAC NOM 125VAC MAX 50/60 HRTZ	BROWN WHT/BRN	S3 YEL/BLK 39.6 VAC NL 6.3A FL YEL/BLUE
		S4 RED/BLK 4.49 VAC NL 20A FL RED
		S5 RED/BLK 4.49 VAC NL 20A FL RED



**AA3361**  
**ANAHEIM AUTOMATION**  
 (714) 992-6990  
 DATE

TRANSFORMER LABEL

- NOTES:
- SECONDARIES S2 & S3 SHOULD BE WOUND NEXT TO THE CORE AND DESIGNED FOR THE HIGHEST POSSIBLE VA RATING. ASSUME THEY ARE THE ONLY SECONDARIES IN USE.
  - THE PRIMARY TO SECONDARY TURNS RATIO SHOULD BE DESIGNED TO PROVIDE 4.49 VOLTS ON S4 & S5 WITH 115 VAC APPLIED.
  - MAKE ALL LEADS APPROXIMATELY 16 INCHES LONG.
  - MAKE ALL LEAD WIRES 16 GAUGE.
  - USE GRAIN ORIENTED M6 LAMINATION MATERIAL.

**ANAHEIM AUTOMATION**  
 910 EAST ORANGEFAIR LANE  
 ANAHEIM, CA. 92801-1195

TRANSFORMER, 500VA

DATE: 8-2-01  
 DRAWING NO: AA3361  
 REV: 1 OF 2

DESIGNED BY: JAMES T. BARNES  
 APPROVED: [Signature]