

A5DN, DN, A5DI, DI Encoder Adder Cables

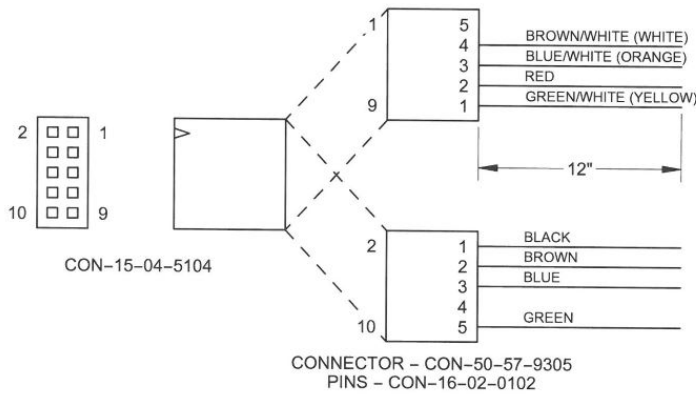


DESCRIPTION

The ENC-CBL-AA4706-XX and ENC-CBL-AA4707 cables are differential encoder cables recommended for use with Anaheim Automation's A5DN, DN, A5DI, and DI series motor encoder adders. The following models are RoHS Compliant.

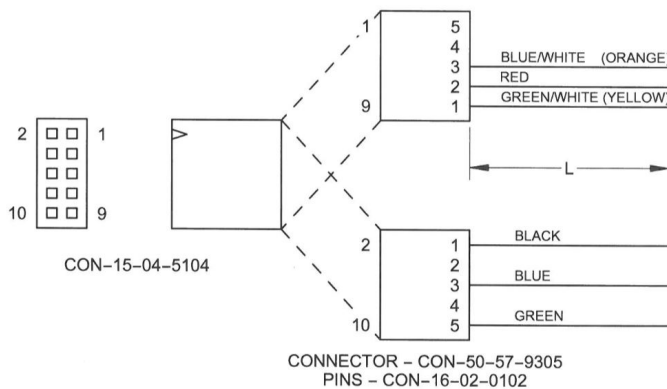
Item	Description	Length (inches)	Number of Leads
ENC-CBL-AA4706	Differential Encoder Cable	12	8
ENC-CBL-AA4706-05	Differential Encoder Cable	60	8
ENC-CBL-AA4706-10	Differential Encoder Cable	120	8
ENC-CBL-AA4707	Differential Encoder Cable	12	6

AA4706



PIN	WIRE COLOR	FUNCTION
1	N/C	GROUND
2	BLACK	GROUND
3	BROWN/WHITE	INDEX -
4	BROWN	INDEX +
5	BLUE/WHITE	CHANNEL A-
6	BLUE	CHANNEL A+
7	RED	POWER
8	N/C	POWER
9	GREEN/WHITE	CHANNEL B-
10	GREEN	CHANNEL B+

AA4707



PIN	WIRE COLOR	FUNCTION
1	N/C	GROUND
2	BLACK	GROUND
3	BROWN/WHITE	INDEX -
4	BROWN	INDEX +
5	BLUE/WHITE	CHANNEL A-
6	BLUE	CHANNEL A+
7	RED	POWER
8	N/C	POWER
9	GREEN/WHITE	CHANNEL B-
10	GREEN	CHANNEL B+

SPECIFICATIONS