

95mm Brush DC Motor

FEATURES

- **DC Brush Motor**
- **95mm Diameter**
- **Up to 113.29 oz-in of Torque**
- **Designed for High-Volume Applications**
- **Custom Versions Available**
- **ISO & TS Automotive Certified**



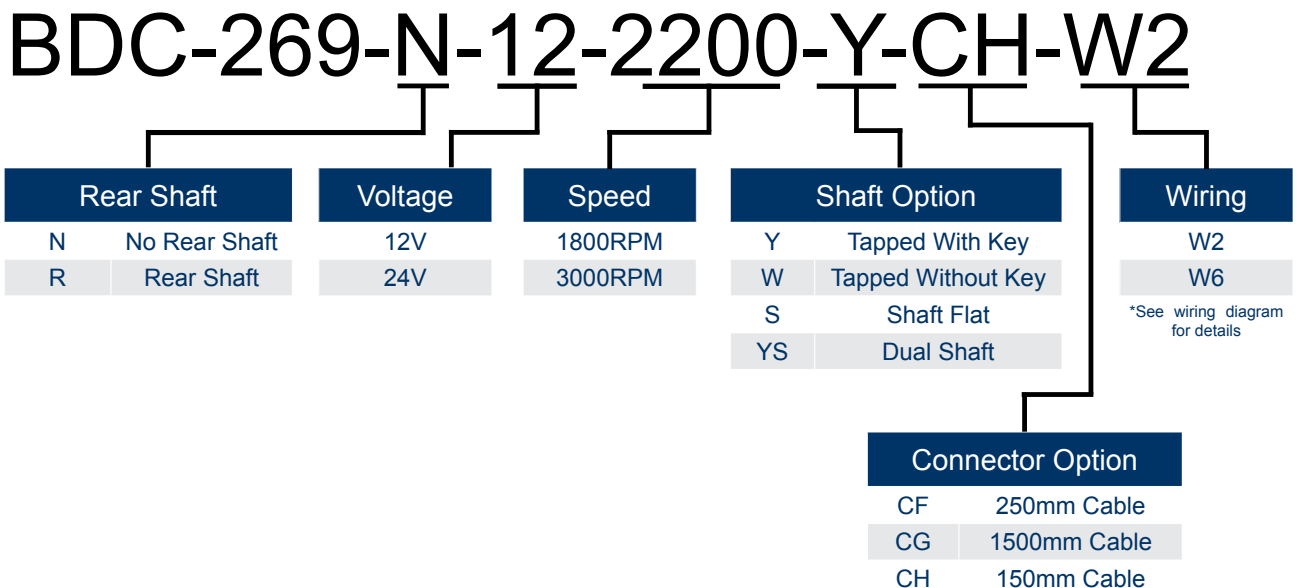
DESCRIPTION

Anaheim Automation's DC motors provide a cost effective solution for your application. The 95mm Brush DC series can be used in many applications such as robotics and medical applications. The 95mm Brush DC series has strong permanent magnets to provide up to 113.29 oz-in of torque. At rated voltage this motor will run up to 3800RPM. Cooling vents on the motor casing are placed optimally for internal cooling of the motor.

SPECIFICATIONS

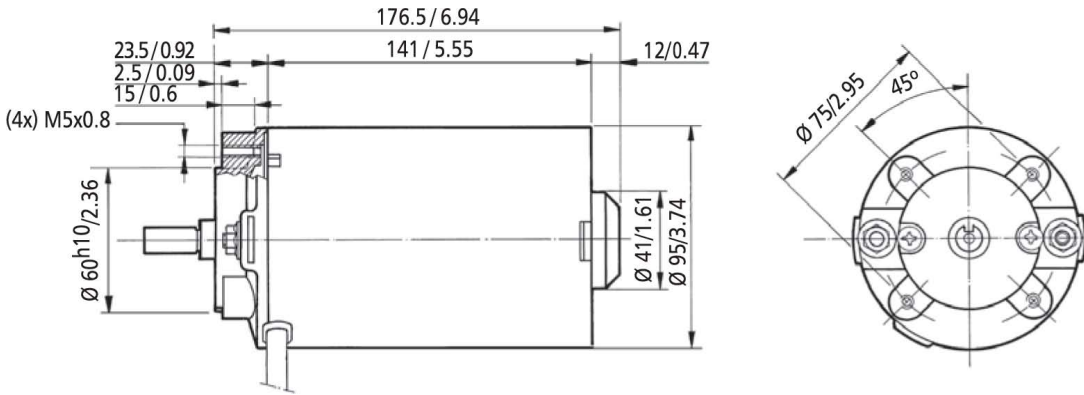
Model #	No load Speed (RPM)	Rated Speed (RPM)	Rated Current (A)	Starting Current (A)	Rated Torque (oz-in)	Starting Torque (oz-in)	Rated Voltage (VDC)	Approx Weight (lbs)
BDC-269-N-12-2200-Y-CH-W2	2200	1800	20	100	113.29	566.47	12	10.18
BDC-269-N-24-3800-W-CG-W2	3800	3000	15	120	106.21	566.47	24	10.18
BDC-269-R-12-2200-SY-CH-W6	2200	1800	20	100	113.29	566.47	12	10.18
BDC-269-R-24-3800-SY-CF-W6	3800	3000	15	120	106.21	566.47	24	10.18

ORDERING INFORMATION

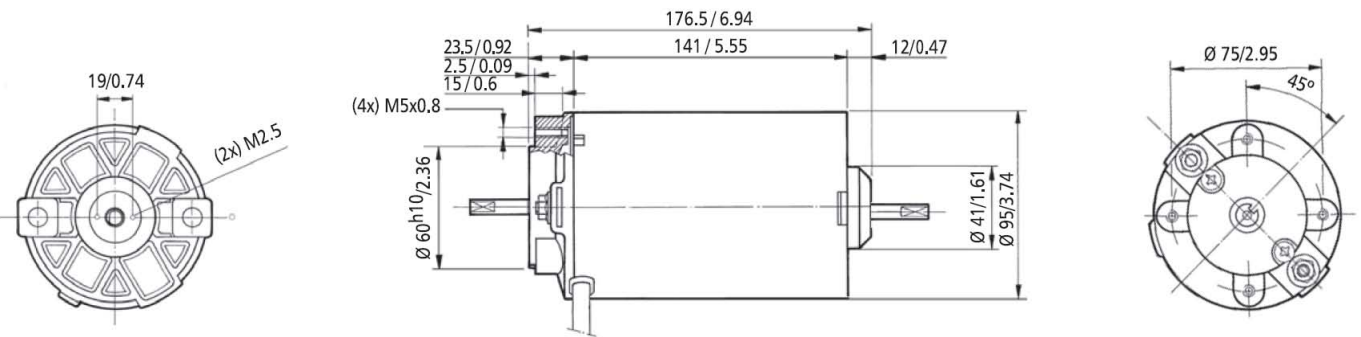


L011095

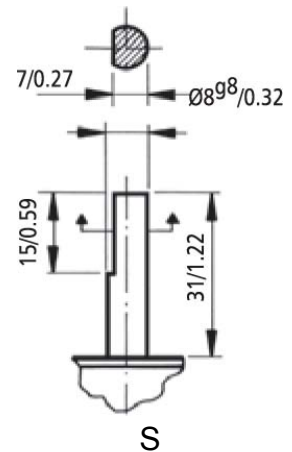
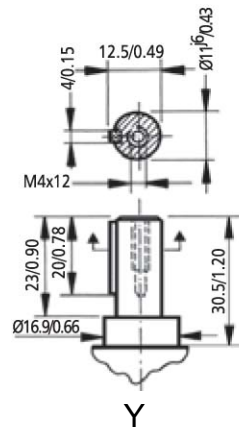
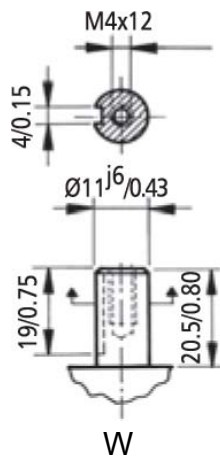
N- Single Shaft Option



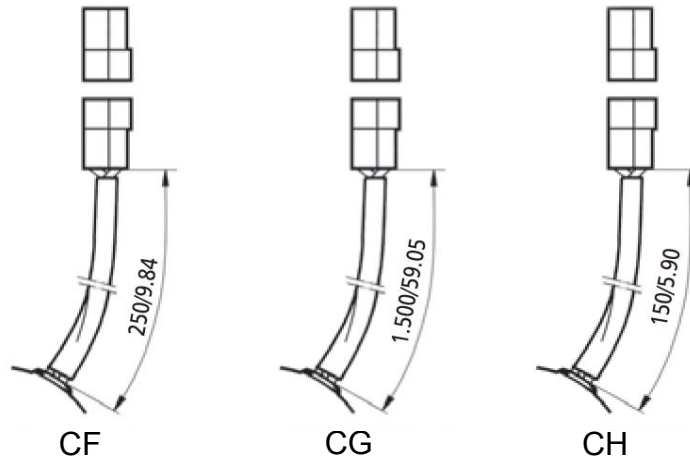
R- Dual Shaft Option



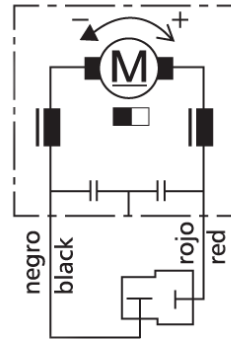
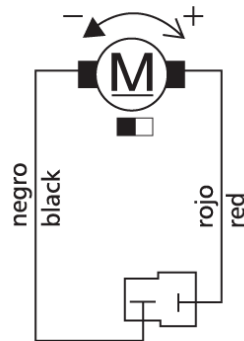
Dimensions are in mm/in



CONNECTOR OPTIONS

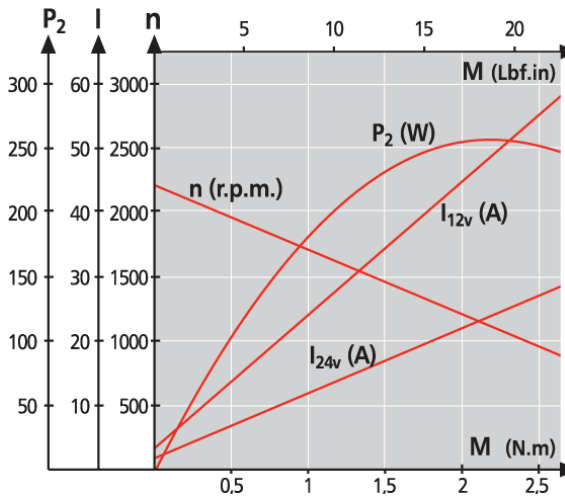


WIRING OPTIONS



TORQUE CURVE

BDC-269-N-12-1800-Y-CH-W2
BDC-269-R-12-1800-YS-CH-W6



BDC-269-N-24-3000-W-CG-W2
BDC-269-R-24-3000-YS-CF-W6

