

FEATURES

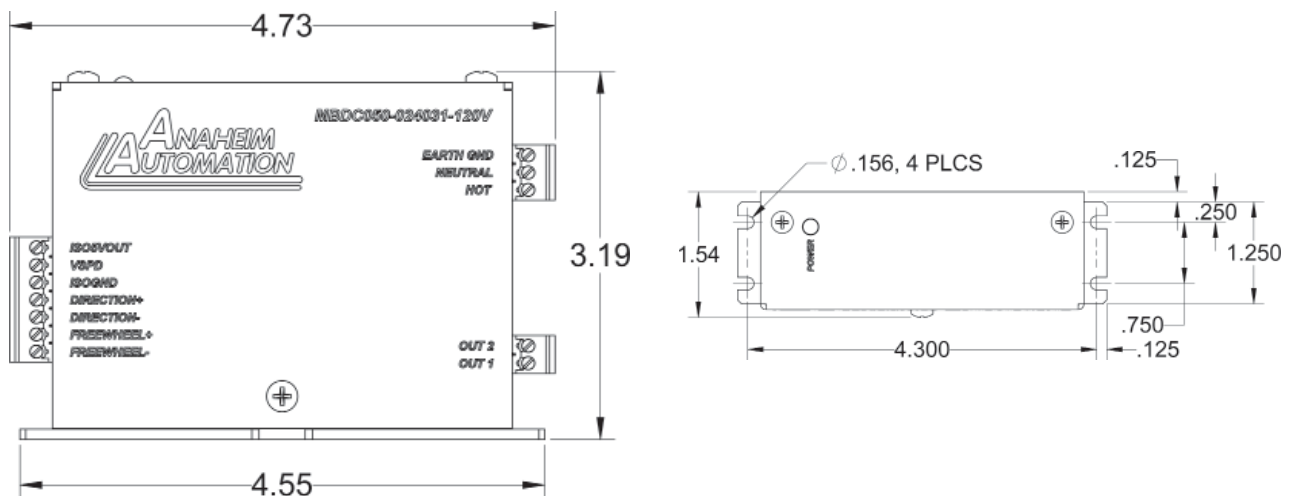
- Fixed Current Limit Set at 3.0 Amps with an output power up to 35W
- 0.5V to 5V External Voltage Speed Control
- 2-Quadrant Operation
- Open-Loop Velocity Mode
- 24VDC Motor Bus
- Requires 85-135 VAC Input
- Freewheel and Direction Inputs
- Cycle by Cycle Short Circuit Protection
- Compact Size (4.73" X 3.19" X 1.54")
- Screw Type Terminal Block



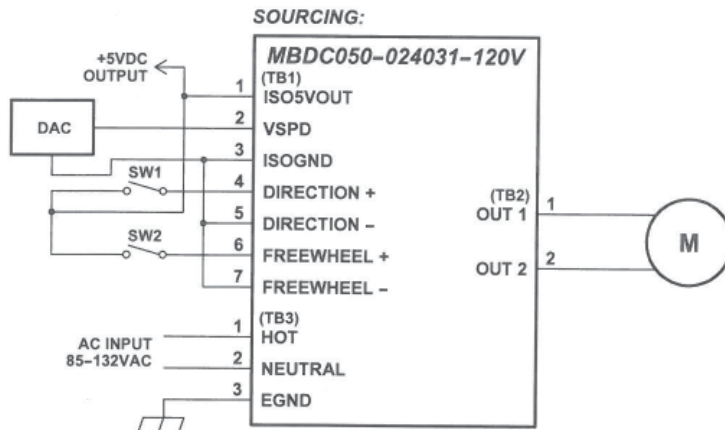
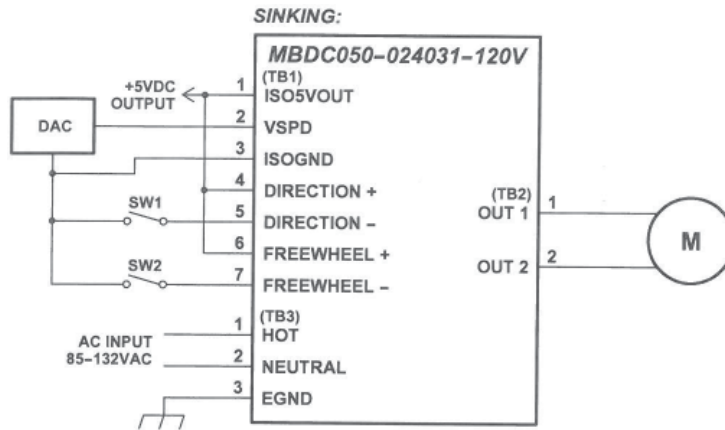
DESCRIPTION

The MBDC050-024031-120V driver is designed to drive DC brush motors at peak currents of up to 3.0A and 35W. The MBDC050-024031-120V is a compact, low profile package meant to be used where space is limited but performance is expected and eliminates the need for an external power supply. The MBDC050-024031-120V driver is designed to drive DC brush motors at peak currents of up to 3.0A and 36W. The driver has a motor bus voltage of 24V. An external potentiometer (10K) or external voltage (0.5-5VDC) can be used to control the speed. The direction of the motor can be preset by the direction control input. To disable energy from the motor, there is a Freewheel input that can be enabled by allowing current through the input opto-diode.

DIMENSIONS



L011504



Vspeed Control: (TB1, Pin 2):	0VDC - Motor Stopped 5VDC - Max Speed (6VDC max)
Control Inputs (TB1, Pins 4-7):	3.5VDC - 24VDC 1mA minimum
Direction Control: (TB1, Pins 4 & 5)	Logic "1" (open) - Clockwise Logic "0" - Counterclockwise
Freewheel: (TB1, Pins 6 & 7)	Logic "1" (open) - Motor is Enabled Logic "0" - Motor is de-energized and will coast
ISO5VOUT Output: (TB1, Pin 1)	5.1V @ 50mA Maximum
Power Requirements: (TB3, Pins 1 & 2)	85VAC (min) - 132VAC (max)
Motor Voltage Bus:	24VDC
Motor Output Current:	3.0A peak (1.5A average) maximum operating current.
Operating Temperature:	0°C to 70°C