

BDPG-60-80-Series



FEATURES

- **DC Brush Planetary Gearmotor**
- **Designed for High Volume Applications**
- **Perfect for OEM Applications**
- **Up to 1472 oz-in (106 kg-cm) of Torque**
- **60 mm Motor Body Diameter**



DESCRIPTION

The BDPG-60-80 Series was designed for high volume OEM applications with low cost being the primary objective. These reliable low cost Brush DC Planetary Gearmotors come in variety of power levels, sizes, and will be sure to fit your needs. The motors are fully reversible. The BDPG-60-80 Series is a cost-effective solution to manage motion control in many rotary applications including medical, semiconductor, pumps, robotics, hobby, CNC, and many other applications where a low cost Brush DC Planetary Gearmotor is needed.

SPECIFICATIONS

BDPG-60-80 12V-3000-Rxx Types

Motor Specs	No Load Speed (RPM)	Rated Speed (RPM)	Rated Voltage (V)	No Load Current (A)	Output Power (W)	Rated Current (A)	Stall Current (A)
	3000	2500	12	0.7	10	2.0	5.0

Model #	Gear Ratio	No Load Speed (RPM)	Rated Speed (RPM)	Rated Torque (oz-in)	Peak Torque (oz-in)	L Length (mm)
BDPG-60-80-12V-3000-R3.6	3.6	833	694	19	417	52.5
BDPG-60-80-12V-3000-R4.25	4.25	706	588	22	417	52.5
BDPG-60-80-12V-3000-R13	13	230	192	65	1389	52.5
BDPG-60-80-12V-3000-R15	15	200	167	75	1389	52.5
BDPG-60-80-12V-3000-R18	18	167	139	90	1389	52.5
BDPG-60-80-12V-3000-R47	47	64	53	222	4166	64.0
BDPG-60-80-12V-3000-R55	55	54	45	264	4166	64.0
BDPG-60-80-12V-3000-R65	65	46	38	306	4166	64.0
BDPG-60-80-12V-3000-R76	76	39	33	361	4166	64.0
BDPG-60-80-12-3000-R168	168	18	15	750	8332	75.5
BDPG-60-80-12-3000-R198	198	15	12	889	8332	75.5
BDPG-60-80-12-3000-R234	234	13	10	1055	8332	75.5
BDPG-60-80-12-3000-R276	276	11	9.0	1236	8332	75.5
BDPG-60-80-12-3000-R326	326	9.2	7.7	1472	8332	75.5

L011631

BDPG-60-80 24V-3000-Rxx Types

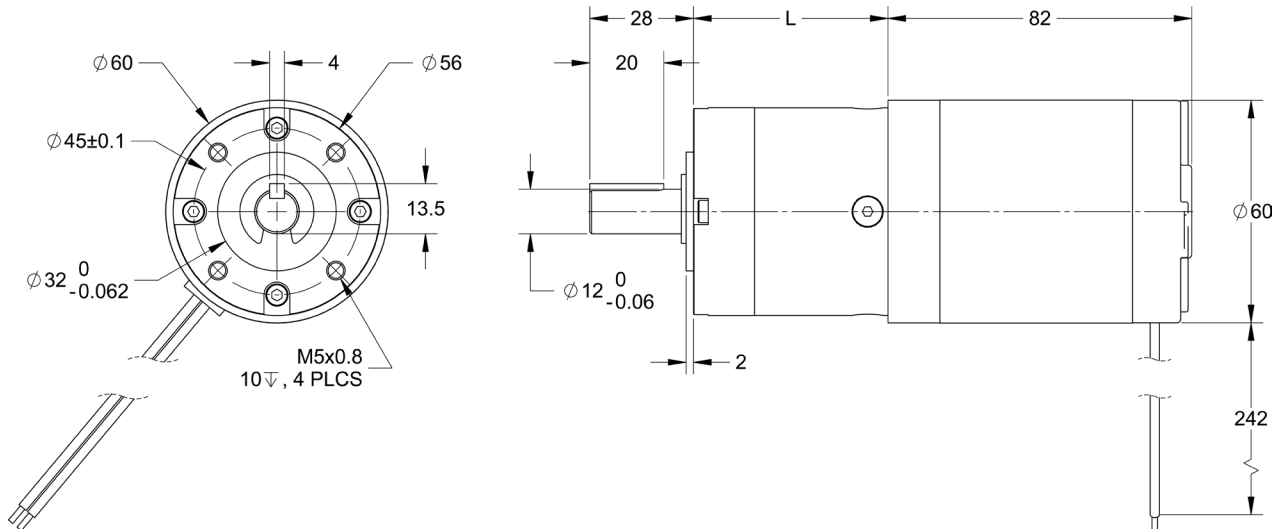
Motor Specs	No Load Speed (RPM)	Rated Speed (RPM)	Rated Voltage (V)	No Load Current (A)	Output Power (W)	Rated Current (A)	Stall Current (A)
	3000	2500	24	0.4	10	1.1	5

Model #	Gear Ratio	No Load Speed (RPM)	Rated Speed (RPM)	Rated Torque (oz-in)	Peak Torque (oz-in)	L Length (mm)
BDPG-60-80-24V-3000-R3.6	3.6	833	694	19	417	52.5
BDPG-60-80-24V-3000-R4.25	4.25	706	588	22	417	52.5
BDPG-60-80-24V-3000-R13	13	230	192	65	1389	52.5
BDPG-60-80-24V-3000-R15	15	200	167	75	1389	52.5
BDPG-60-80-24V-3000-R18	18	167	139	90	1389	52.5
BDPG-60-80-24V-3000-R47	47	64	53	222	4166	64.0
BDPG-60-80-24V-3000-R55	55	54	45	264	4166	64.0
BDPG-60-80-24V-3000-R65	65	46	38	306	4166	64.0
BDPG-60-80-24V-3000-R76	76	39	33	361	4166	64.0
BDPG-60-80-24-3000-R168	168	18	15	750	8332	75.5
BDPG-60-80-24-3000-R198	198	15	12	889	8332	75.5
BDPG-60-80-24-3000-R234	234	13	10	1055	8332	75.5
BDPG-60-80-24-3000-R276	276	11	9.0	1236	8332	75.5
BDPG-60-80-24-3000-R326	326	9.2	7.7	1472	8332	75.5

SPECIFICATIONS

DIMENSIONS

SPECIFICATIONS



Units are in mm

Housing Material:	Metal	Radial Play of Shaft:	0.08mm
Bearing at Output:	Sleeve Bearing	Shaft Press Fit Force, Max:	< 33.07lbs
Humidity:	90%-95%	Operating Temperature:	14°F - 104°F