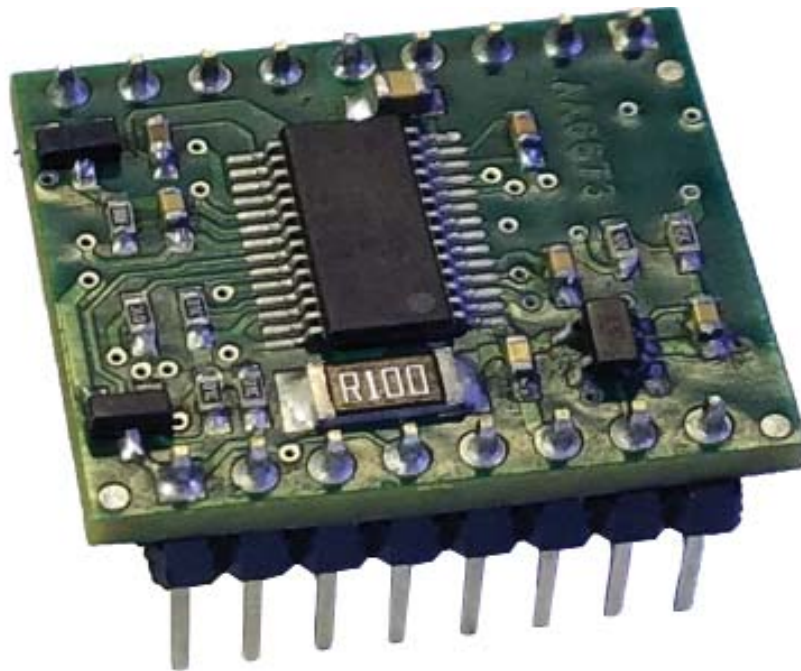


# MBDC020-024031 Series 24V, 3A Brush DC Controller

## User's Guide



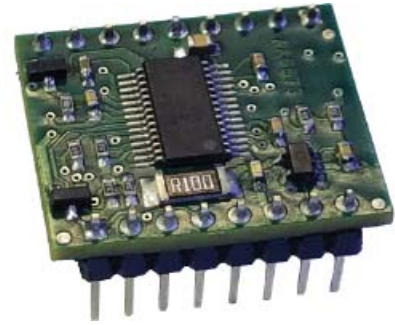
**A N A H E I M A U T O M A T I O N**

4985 East Landon Drive, Anaheim, CA 92807  
e-mail: [info@anaheimautomation.com](mailto:info@anaheimautomation.com)

(714) 992-6990 fax: (714) 992-0471  
website: [www.anaheimautomation.com](http://www.anaheimautomation.com)

## MBDC020-024031 Driver Features

- Open Loop Operation
- 8 - 24VDC Voltage Range
- 0.75V to 4V External Voltage Speed Control
- 2-Quadrant Operation
- Short Circuit Protection
- Maximum Current Limit at 3.0 Amps (peak)
- Freewheel and Direction Input
- TTL-CMOS Compatible Inputs
- Compact Size
- Easy Connectivity/Integration into Motherboard



## General Description

The MBDC020-024031 driver is designed to drive DC Brush motors at currents of up to 3A (peak) and 24V. The driver operates in the basic open loop configuration. The driver is protected against over current (cycle-by-cycle) and under voltage. When an error occurs, a fault output is turned on to notify the user. An external voltage (0.75-4VDC) is used to control the speed of the motor. The direction of the motor can be preset by the direction control input. The freewheel input overrides all other inputs into the driver. With two connector arrays arranged in a 2.54 mm pattern, it allows easy integration and connectivity to the MDC020-EVALBOARD or the OEM-side mother board.

## Fault Protection

A cycle-by-cycle over current protection is provided when the motor current level exceeding the 3.0A peak current limit is produced. When the over current protection is activated, the controller shuts off the outputs to the motor.

## Ordering Information

| Part #           | Description  |
|------------------|--|
| MBDC020-024031   | Featured DC driver 3A, 24V   |
| PSAM24V2.7A      | DC Power Supply 24VDC at 2.7 Amps  |
| PSAM48V1.3A      | DC Power Supply 48VDC at 1.3 Amps  |
| MDC020-EVALBOARD | Evaluation Board for Board Level OEM BLDC and DC Speed Controllers MDC020-024031, MDC020-050101, MBDC020-24031, and MBDC020-050101 |

## Terminal Descriptions

### P1:

| Pin # | Description |
|-------|-------------|
| 1     | Phase A     |
| 2     | Phase B     |
| 3     | No Connect  |
| 4     | VHV         |
| 5     | 0VDC        |
| 6     | 5V OUT      |
| 7     | No Connect  |
| 8     | No Connect  |
| 9     | No Connect  |

## Motor Connection

Refer to the hookup diagram for typical driver applications. If the motor does not run or runs erratically, power down and make sure motor phase wires are connected correctly. If the direction of the motor is opposite of what is required for the application, Phase A and Phase B wires can be swapped. The wiring of the motor phases should be separated from the input connections to not allow a possible source of interference.

## VHV

This pin (P1 - pin 4) is the voltage supply for the driver with respect to 0VDC (P1- pin 5). A voltage from 8VDC (min) to 24VDC (max) is required to operate the driver.

## 5V OUT

This pin (P1 -pin 6) has an output of 5V @ 30mA maximum.

## P2:

| Pin # | Description   |
|-------|---------------|
| 1     | Ready         |
| 2     | No Connect    |
| 3     | No Connect    |
| 4     | Enable        |
| 5     | Direction     |
| 6     | 0VDC          |
| 7     | Current LIMIT |
| 8     | Vspeed        |

## Current Limit Resistor Values

| Current Limit | Resistor       |
|---------------|----------------|
| 3A            | Input Floating |
| 2.5A          | 47Kohms        |
| 2A            | 10Kohms        |
| 1.5A          | 4.7Kohms       |
| 1A            | 2.2Kohms       |
| 0.5A          | 470ohms        |

### Ready

When NO fault or disable occurs, this output will be a logic “1” (5V). When a fault or disable occurs, this output will be a logic “0” (0V) under these conditions:

1. The motor is disabled by a low signal at the Enable input (P2 - pin 4).
2. 0V has been applied to Vspeed.
3. Undervoltage Lockout activation at 9.1VDC for the input voltage and 4.5VDC for Hall Sensor voltage.

### Enable

The motor enable feature allows the de-energized of the motor phases. A high input at this input causes the motor to run at the given speed, while a low (open) at this input causes the motor to coast to a stop.

### Direction

The motor direction feature allows the changing of the rotation of the motor. This input should not be changed while motion is in progress. A high input causes the motor to turn in the CW direction, while a low (open) at this input causes the motor to turn in the CCW direction.

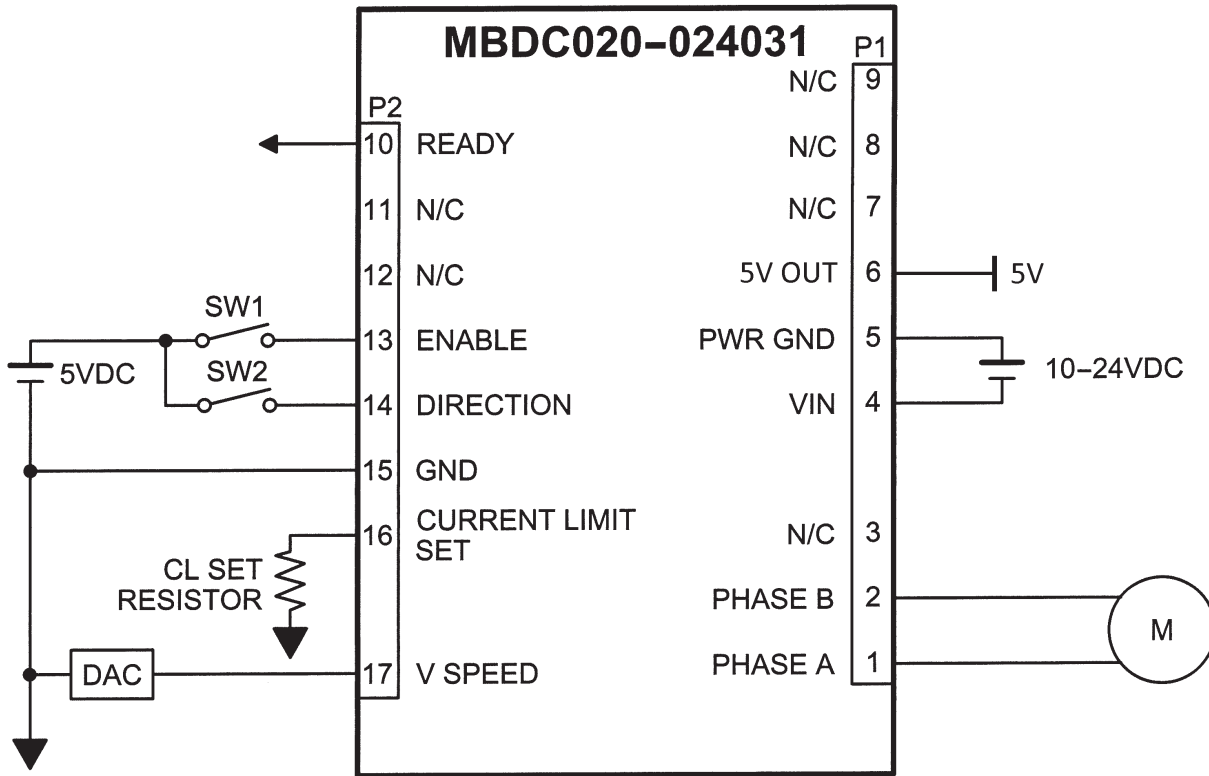
### Current Limit

The Current Limit input is used for setting the peak motor current in the range of 0.5-3A. The current limit value should be set below the rated motor current (max.continuous current). To set the current limiting value, an external resistor (at least 62.5mW) between current limiting input (P2 - pin 7) and ground (P2 - pin 6) must be added as shown in table above.

### Vspeed

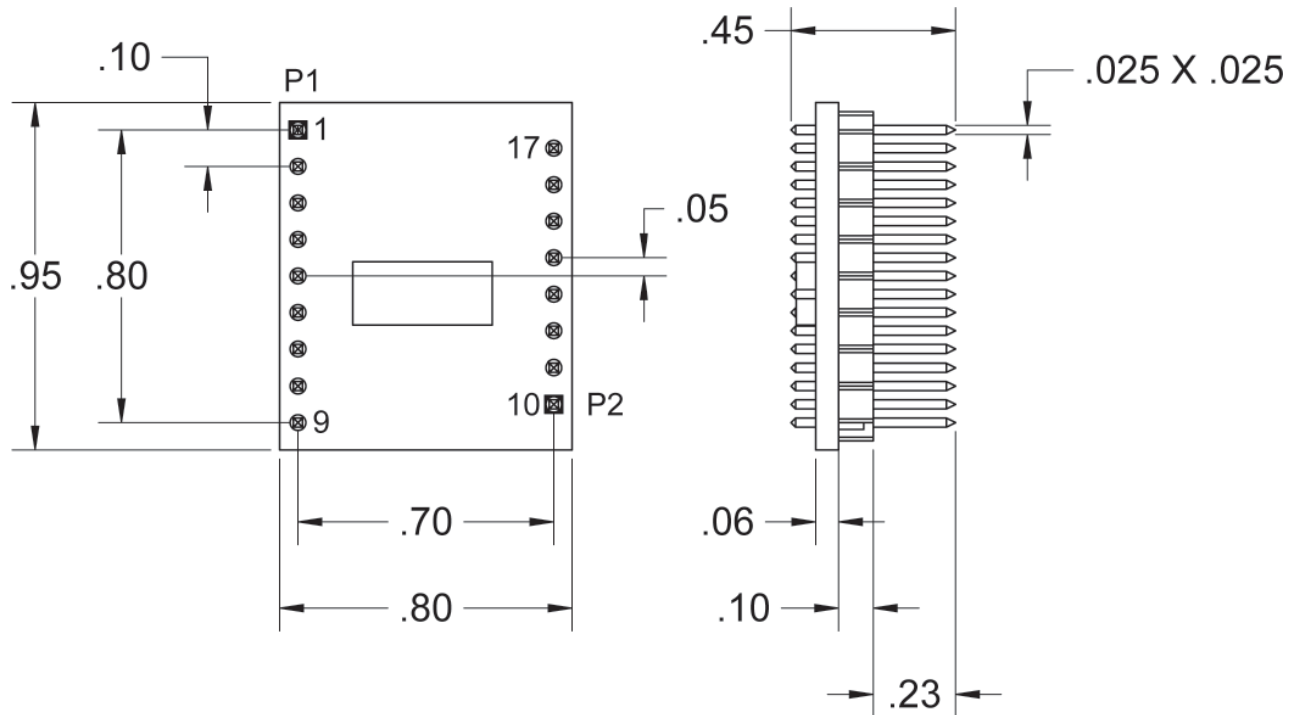
A voltage is used to control the speed of the motor, the 0.75V to 4V voltage can be tied on Vspeed (P2 - pin 8) with respect to 0VDC (P2- Pin 6). The maximum voltage amplitude that can be placed on Vspeed is 5.5V. A voltage exceeding 5.5V will cause damage to the driver.

# Typical Wiring Diagram

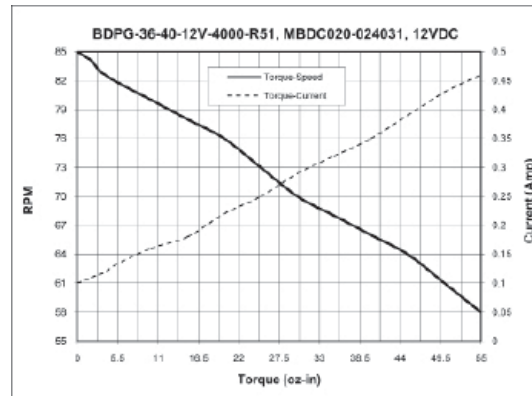
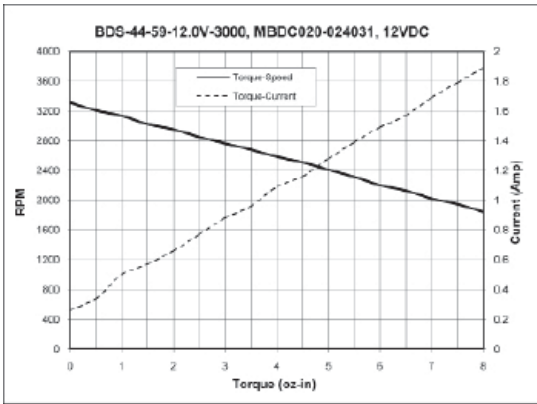


Note: SQUARE PINS DENOTES PIN 1 and 10

# Dimensions



## Torque Speed Curves



### COPYRIGHT

Copyright 2017 by Anaheim Automation. All rights reserved. No part of this publication may be reproduced, transmitted, transcribed, stored in a retrieval system, or translated into any language, in any form or by any means, electronic, mechanical, magnetic, optical, chemical, manual, or otherwise, without the prior written permission of Anaheim Automation, 4985 E Landon Drive, Anaheim, CA 92807.

### DISCLAIMER

Though every effort has been made to supply complete and accurate information in this manual, the contents are subject to change without notice or obligation to inform the buyer. **In no event will Anaheim Automation be liable for direct, indirect, special, incidental, or consequential damages arising out of the use or inability to use the product or documentation.**

Anaheim Automation's general policy does not recommend the use of its' products in life support applications wherein a failure or malfunction of the product may directly threaten life or injury. Per Anaheim Automation's Terms and Conditions, the user of Anaheim Automation products in life support applications assumes all risks of such use and indemnifies Anaheim Automation against all damages.

### LIMITED WARRANTY

All Anaheim Automation products are warranted against defects in workmanship, materials and construction, when used under Normal Operating Conditions and when used in accordance with specifications. This warranty shall be in effect for a period of twelve months from the date of purchase or eighteen months from the date of manufacture, whichever comes first. **Warranty provisions may be voided if products are subjected to physical modifications, damage, abuse, or misuse.**

Anaheim Automation will repair or replace at its' option, any product which has been found to be defective and is within the warranty period, provided that the item is shipped freight prepaid, with previous authorization (RMA#) to Anaheim Automation's plant in Anaheim, California.

### TECHNICAL SUPPORT

If you should require technical support or if you have problems using any of the equipment covered by this manual, please read the manual completely to see if it will answer the questions you have. If you need assistance beyond what this manual can provide, contact your Local Distributor where you purchased the unit, or contact the factory direct.

**ANAHEIM AUTOMATION**