

# BLAW23 Brushless Linear Actuators



FEATURES

- Rated Power 34W
- Brushless DC Motor
- External Linear with Ball Screw
- No Load Speed 4200 RPM
- Rated Current < 2.5A
- No Load Current < 0.9A
- Rated Torque 15.5 oz-in
- 5mm Travel Per Revolution

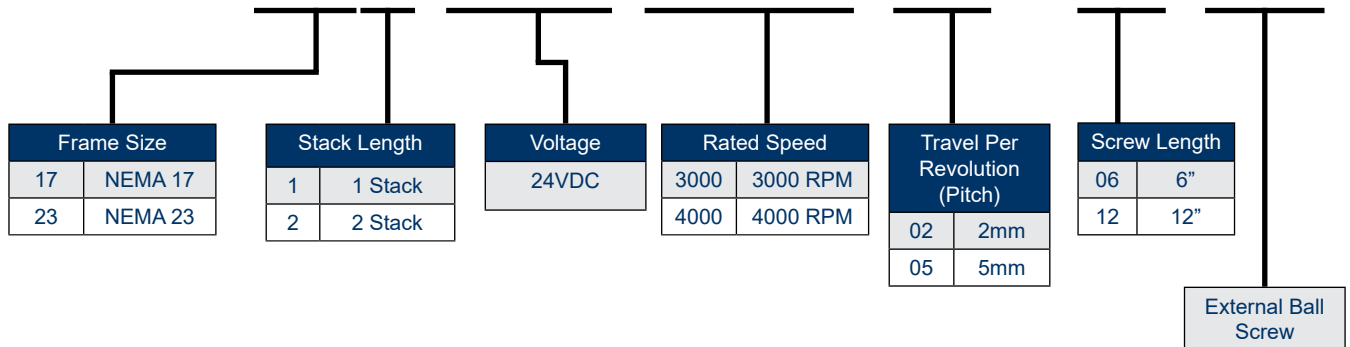


DESCRIPTION

Anaheim Automation's BLAW23 Brushless Ball Screw Linear Actuators are a unique motor with a Ball Screw attached to the lead screw. The BLAW23 Series come in a compact package with a 12" screw extended from the motor. This motor comes in a standard 8-lead wire configuration. These Brushless Ball Screw Linear Actuators are designed to be the most versatile linear positioning motors on the market. These external linear actuators are robust and can be easily configured to solve some of the most difficult application problems. Integration of a lead screw with a motor saves space, eliminates components, and reduces cost. While many standard configurations are available, custom modifications for OEM customers are welcome.

ORDER INFORMATION

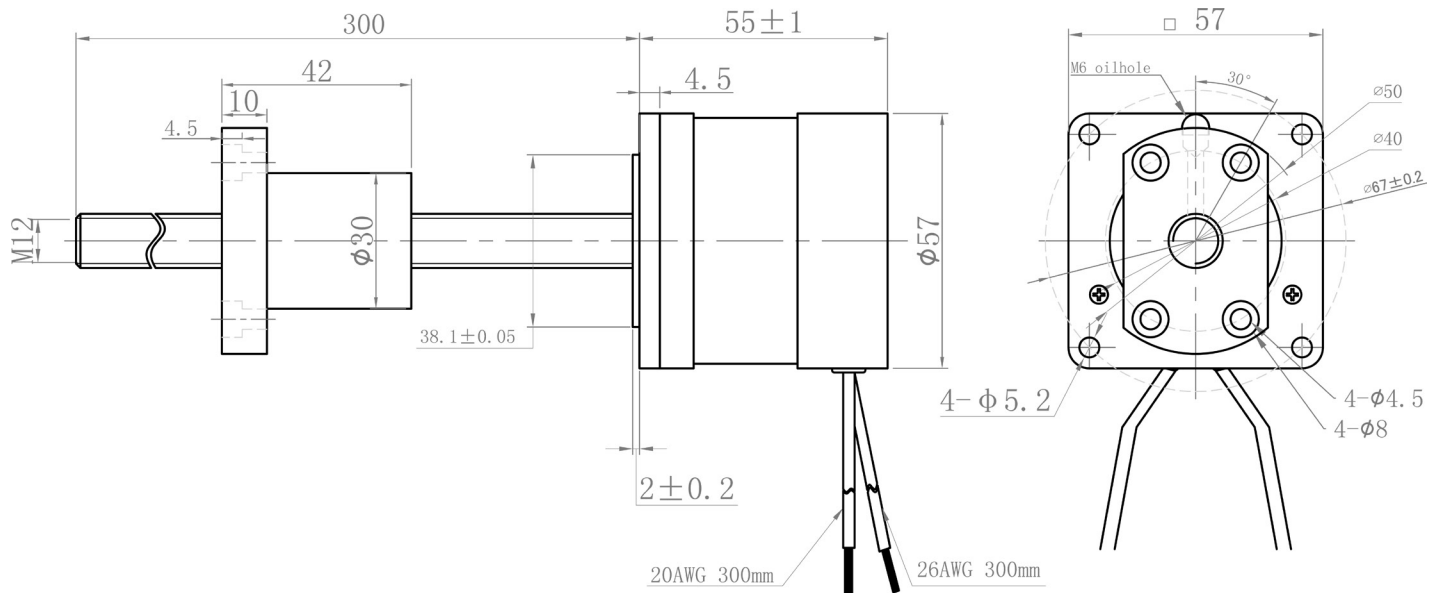
## BLAW232-24V-3000-05X12-EB



L011705

Motor Specifications										
Model Number	Voltage (VDC)	Rated Speed (RPM)	Rated Power (W)	Rated Current (A)	Rated Torque (oz-in)	Resistance (ohms)	Inductance (mH)	Number of Leads	Motor Weight (lbs)	Motor Length "L" (inches)
BLAW232	24	3000	34	2.5	15.5	1.6	4	8	1.95	2.16

Leadscrew Thread Dimension (mm)			
Diameter (mm)	Dynamic Rating Load (Kgf)	Static Rating Load (Kgf)	Lead (mm)
12	661	1316	5



Units in mm

Wire Color	Description
Red	Hall Supply
Blue	Hall A
Green	Hall B
White	Hall C
Black	Hall Ground
Red	Phase A
Yellow	Phase B
Black	Phase C

