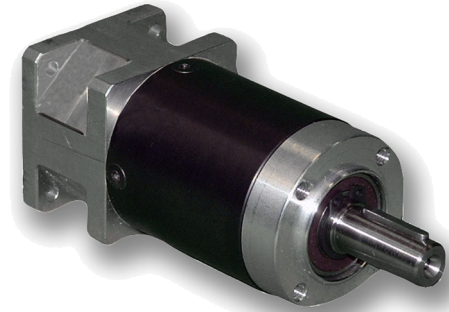


GBPN-040 Series - Planetary Gearboxes



FEATURES

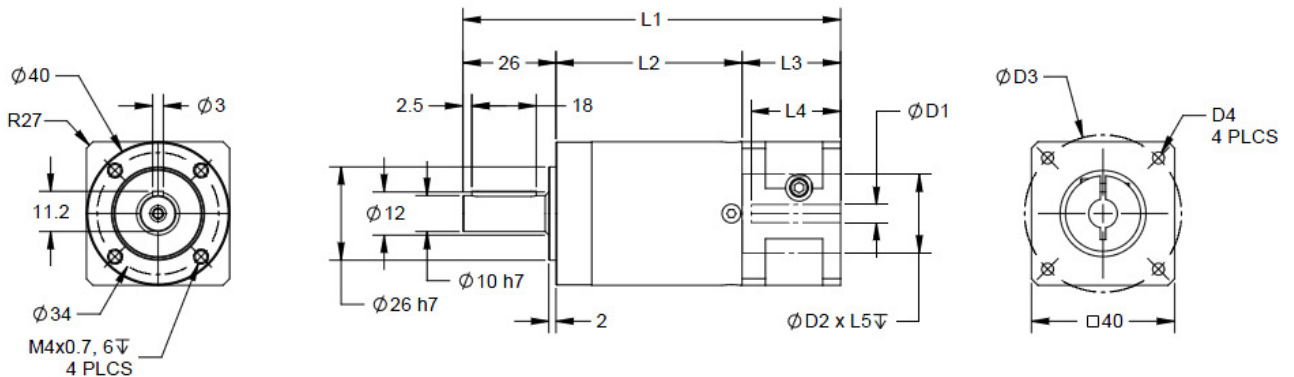
- **Compatible with NEMA Size 17 Motors**
- **Backlash as Low as 15 arc-min**
- **Gear Ratios from 3:1 512:1**
- **Long Design Life, Over 30,000 Hours**
- **Up to 98 Percent Efficiency**
- **Peak Input Speeds of Up to 18000 rpm**
- **Lifetime Lubrication, High Durability**



DESCRIPTION

Planetary Gearboxes for NEMA 17 Stepper motors, dc motors, or servo motors. The GBPN-040 Series Planetary Gears were designed to be high quality and reliable in-line planetary gears. They are available many sizes with gear ratios ranging from 3:1 to 512:1. These planetary gearboxes come in a one-piece housing that produce consistent low backlash with permissible peak input speeds up to 18,000 RPM.

DIMENSIONS



ITEM	DESCRIPTION	MOTOR INTERFACE	
		AA171-197	SMH40-315
D1	Input Shaft Diameter	5	8
L4	Max Shaft Length	25	25
D3	Pilot Diameter	22	30
D2	Pilot Depth	3.5	3
L5	Mounting Bolt Hold Circle	43.8	45
D4	Bolt Hole Size	3.3	M3x7
L1	Overall Length (1-Stage)	92.5	93.5
L1	Overall Length (2-Stage)	105.5	106.5
L1	Overall Length (3-Stage)	117.5	118.5

- *1-Stage Models:** Gear Ratios 3-8
- *2-Stage Models:** Gear Ratios 9-40,64
- *3-Stage Models:** Gear Ratios 60,80-512

Model #	Gear Ratio	Compatible NEMA Frame Size	Rated Output Torque (in-lbs)	Peak Input Speed (RPM)	Backlash (arcmin)	Running Noise (dB)	L2 Length (mm)	Weight (lbs)
GBPN-0401-003-xxxx-yyy	3	17	97	18000	<15	58	39	0.8
GBPN-0401-004-xxxx-yyy	4	17	133	18000	<15	58	39	0.8
GBPN-0401-005-xxxx-yyy	5	17	124	18000	<15	58	39	0.8
GBPN-0401-008-xxxx-yyy	8	17	53	18000	<15	58	39	0.8
GBPN-0402-009-xxxx-yyy	9	17	148	18000	<19	58	52	1.0
GBPN-0402-012-xxxx-yyy	12	17	177	18000	<19	58	52	1.0
GBPN-0402-015-xxxx-yyy	15	17	159	18000	<19	58	52	1.0
GBPN-0402-016-xxxx-yyy	16	17	177	18000	<19	58	52	1.0
GBPN-0402-020-xxxx-yyy	20	17	177	18000	<19	58	52	1.0
GBPN-0402-025-xxxx-yyy	25	17	159	18000	<19	58	52	1.0
GBPN-0402-032-xxxx-yyy	32	17	177	18000	<19	58	52	1.0
GBPN-0402-040-xxxx-yyy	40	17	159	18000	<19	58	52	1.0
GBPN-0402-064-xxxx-yyy	64	17	66	18000	<19	58	52	1.0
GBPN-0403-060-xxxx-yyy	60	17	177	18000	<22	58	64	1.2
GBPN-0403-080-xxxx-yyy	80	17	177	18000	<22	58	64	1.2
GBPN-0403-100-xxxx-yyy	100	17	177	18000	<22	58	64	1.2
GBPN-0403-110-xxxx-yyy	120	17	159	18000	<22	58	64	1.2
GBPN-0403-160-xxxx-yyy	160	17	177	18000	<22	58	64	1.2
GBPN-0403-200-xxxx-yyy	200	17	159	18000	<22	58	64	1.2
GBPN-0403-256-xxxx-yyy	256	17	177	18000	<22	58	64	1.2
GBPN-0403-320-xxxx-yyy	320	17	159	18000	<22	58	64	1.2
GBPN-0403-512-xxxx-yyy	512	17	66	18000	<22	58	64	1.2

Part numbers are based on the specifications of the motor being matched to the gearbox.

-xxxx denotes motor pilot, -yyy denotes input shaft diameter.

For more information contact an Anaheim Automation Applications Engineer for assistance.