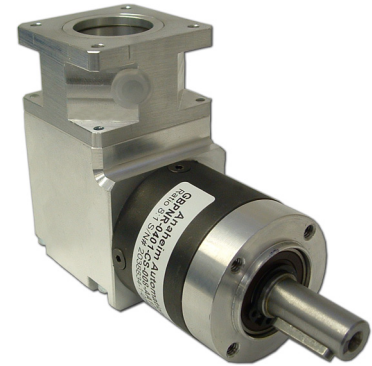


FEATURES

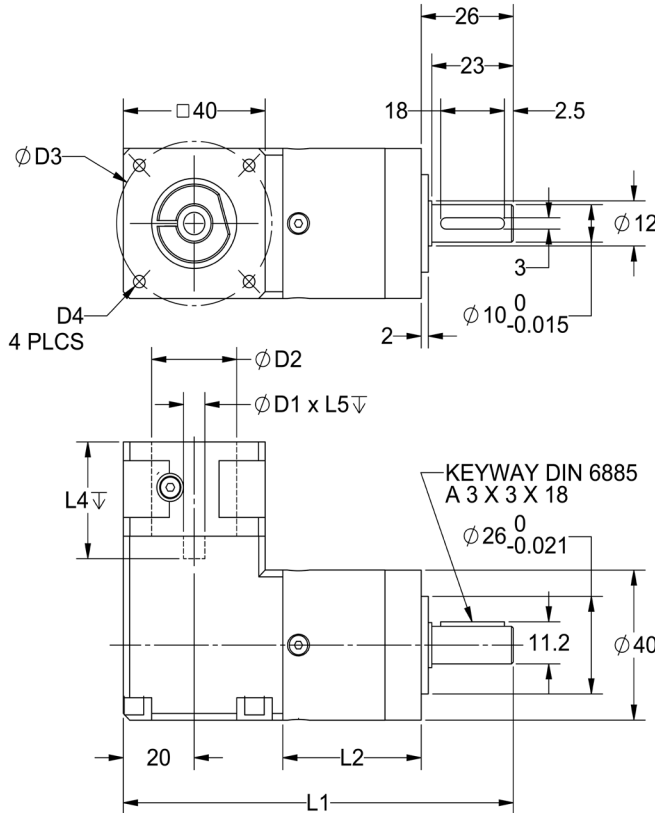
- Gear Ratios From 3 to 512
- Backlash Lower Than 28 arc-min
- Available in 1, 2 and 3 Stage Models
- Lifetime Lubrication
- High Durability



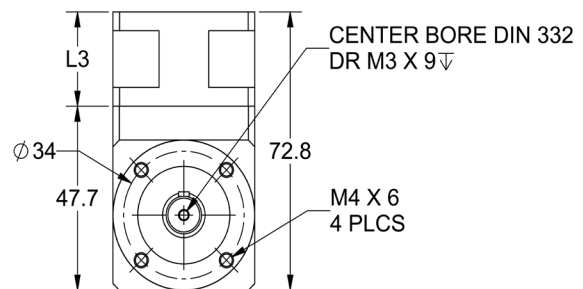
DESCRIPTION

The GBP NR-040x-CS Series right angle planetary gearbox offers you the precision you need at the prices you want! This right angle planetary gearbox is designed with very low backlash for motion control, automation, and robotic applications requiring precise position requirements. This right angle planetary gearbox will match your servo or stepping motor. It comes in 22 different gear ratios. Built with the design goal of offering a cost-effective product without sacrificing quality, you will find that this right angle planetary gearbox offers you an extraordinary value.

DIMENSIONS



| ITEM | DESCRIPTION | MOTOR INTERFACE | |
|------|---------------------------|-----------------|-----------|
| | | AA171-197 | SMH40-315 |
| D1 | Input Shaft Diameter | 5 | 8 |
| L4 | Max Shaft Length | 32 | 25 |
| L3 | Motor Mount Length | 25.1 | 28.5 |
| D2 | Pilot Diameter | 22 | 30 |
| L5 | Pilot Depth | 3 | 3.4 |
| D3 | Mounting Bolt Hole Circle | 43.8 | 45 |
| D4 | Bolt Hole Size | 3.3 x thru | M3x7 |



Units in mm

L010520

| Model # | Gear Ratio | Nominal Output Torque (oz-in) | Max Output Torque (oz-in) | Stages | Backlash Maximum (arcmin) | L1 Length (mm) | L2 Length (mm) | Weight (lbs) |
|-----------------------------|------------|-------------------------------|---------------------------|--------|---------------------------|----------------|----------------|--------------|
| GBP NR-0401-CS-003-xxxx-yyy | 3 | 637 | 991 | 1 | <21 | 110 | 39 | 1.12 |
| GBP NR-0401-CS-004-xxxx-yyy | 4 | 850 | 1416 | 1 | <21 | 110 | 39 | 1.12 |
| GBP NR-0401-CS-005-xxxx-yyy | 5 | 1062 | 1700 | 1 | <21 | 110 | 39 | 1.12 |
| GBP NR-0401-CS-008-xxxx-yyy | 8 | 850 | 1416 | 1 | <21 | 110 | 39 | 1.12 |
| GBP NR-0402-CS-009-xxxx-yyy | 9 | 2336 | 3681 | 2 | <25 | 123 | 52 | 1.35 |
| GBP NR-0402-CS-012-xxxx-yyy | 12 | 2832 | 4531 | 2 | <25 | 123 | 52 | 1.35 |
| GBP NR-0402-CS-015-xxxx-yyy | 15 | 2549 | 4106 | 2 | <25 | 123 | 52 | 1.35 |
| GBP NR-0402-CS-016-xxxx-yyy | 16 | 2832 | 4531 | 2 | <25 | 123 | 52 | 1.35 |
| GBP NR-0402-CS-020-xxxx-yyy | 20 | 2832 | 4531 | 2 | <25 | 123 | 52 | 1.35 |
| GBP NR-0402-CS-025-xxxx-yyy | 25 | 2549 | 4106 | 2 | <25 | 123 | 52 | 1.35 |
| GBP NR-0402-CS-032-xxxx-yyy | 32 | 2832 | 4531 | 2 | <25 | 123 | 52 | 1.35 |
| GBP NR-0402-CS-040-xxxx-yyy | 40 | 2549 | 4106 | 2 | <25 | 123 | 52 | 1.35 |
| GBP NR-0402-CS-064-xxxx-yyy | 64 | 1062 | 1696 | 2 | <25 | 123 | 52 | 1.35 |
| GBP NR-0403-CS-060-xxxx-yyy | 60 | 2832 | 4531 | 3 | <28 | 135 | 64 | 1.6 |
| GBP NR-0403-CS-080-xxxx-yyy | 80 | 2832 | 4531 | 3 | <28 | 135 | 64 | 1.6 |
| GBP NR-0403-CS-100-xxxx-yyy | 100 | 2832 | 4531 | 3 | <28 | 135 | 64 | 1.6 |
| GBP NR-0403-CS-120-xxxx-yyy | 120 | 2549 | 4106 | 3 | <28 | 135 | 64 | 1.6 |
| GBP NR-0403-CS-160-xxxx-yyy | 160 | 2832 | 4531 | 3 | <28 | 135 | 64 | 1.6 |
| GBP NR-0403-CS-200-xxxx-yyy | 200 | 2549 | 4106 | 3 | <28 | 135 | 64 | 1.6 |
| GBP NR-0403-CS-256-xxxx-yyy | 256 | 2832 | 4531 | 3 | <28 | 135 | 64 | 1.6 |
| GBP NR-0403-CS-320-xxxx-yyy | 320 | 2549 | 4106 | 3 | <28 | 135 | 64 | 1.6 |
| GBP NR-0403-CS-512-xxxx-yyy | 512 | 1062 | 1700 | 3 | <28 | 135 | 64 | 1.6 |

Part numbers are based on the specifications of the motor being matched to the gearbox.

-xxxx denotes motor pilot, -yyy denotes input shaft diameter.

For more information contact an Anaheim Automation Applications Engineer for assistance.

| | | | |
|------------------------|----------------|--------------|----------------|
| Radial Load: | 44 lbs - Force | Axial Load: | 44 lbs - Force |
| Operating Temperature: | -25° C - 90° C | Noise Level: | 68 dB |
| Maximum Input Speed: | 18,000 RPM | Design Life: | 20,000 hours |
| Efficiency: | 88% - 94% | IP Rating: | IP 54 / 55 |