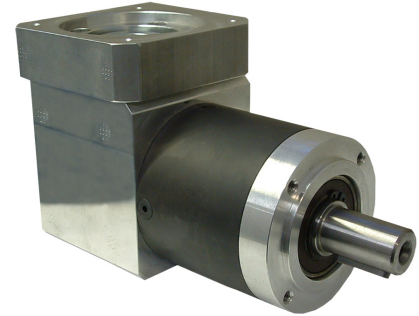


GBPNR-120x-CS Series



FEATURES

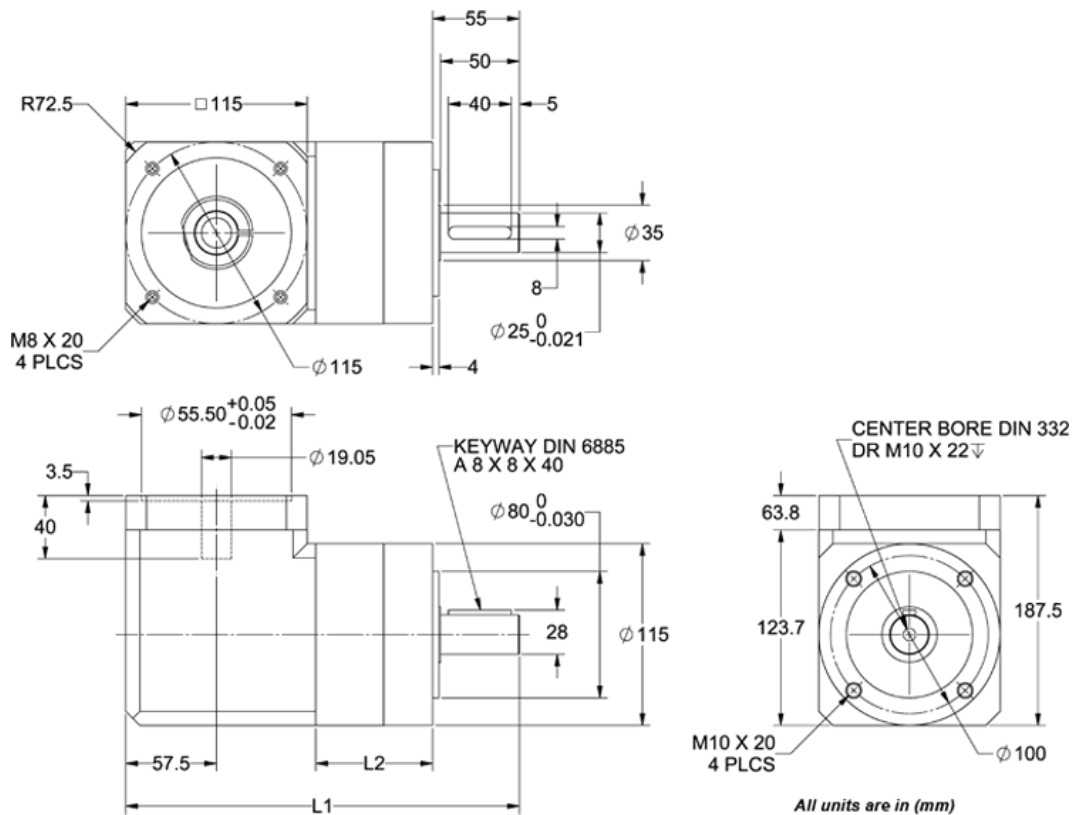
- Gear Ratios From 3 to 512
- Backlash Lower Than 18 arc-min
- Available in 1, 2 and 3 Stage Models
- Lifetime Lubrication
- High Durability



DESCRIPTION

The GBPNR-120x-CS Series right angle planetary gearbox offers you the precision you need at the prices you want! This right angle planetary gearbox is designed with very low backlash for motion control, automation, and robotic applications requiring precise position requirements. This right angle planetary gearbox will match your servo or stepping motor. It comes in 22 different gear ratios. Built with the design goal of offering a cost-effective product without sacrificing quality, you will find that this right angle planetary gearbox offers you an extraordinary value.

DIMENSIONS



ITEM	DESCRIPTION	MOTOR INTERFACE		
		AA421-750	BLK42-748	EMJ130-866
D1	Motor Shaft Diameter	19.05	19	22
L4	Motor Shaft Length	60	41	55
D2	Pilot Diameter	55.5	95	110
L5	Pilot Depth	6.1	3	10.4
D3	Mounting Bolt Hole Circle	125.8	130	145
D4	Bolt Hole Size	M8 x 20	M8 x 20	M8 x 20

L010523

Model #	Gear Ratio	Nominal Rated Torque (oz-in)	Max Torque (oz-in)	Stages	Backlash Maximum (arcmin)	L1 Length (mm)	L2 Length (mm)	Weight (lbs)
GBPNR-1201-CS-003-xxxx-yyy	3	11328	18112	1	<12	250	74	27.8
GBPNR-1201-CS-004-xxxx-yyy	4	14864	23792	1	<12	250	74	27.8
GBPNR-1201-CS-005-xxxx-yyy	5	18400	29440	1	<12	250	74	27.8
GBPNR-1201-CS-008-xxxx-yyy	8	16992	27184	1	<12	250	74	27.8
GBPNR-1202-CS-009-xxxx-yyy	9	29728	47568	2	<16	277	101	32.2
GBPNR-1202-CS-012-xxxx-yyy	12	36816	58906	2	<16	277	101	32.2
GBPNR-1202-CS-015-xxxx-yyy	15	32560	52112	2	<16	277	101	32.2
GBPNR-1202-CS-016-xxxx-yyy	16	36816	58906	2	<16	277	101	32.2
GBPNR-1202-CS-020-xxxx-yyy	20	36816	58906	2	<16	277	101	32.2
GBPNR-1202-CS-025-xxxx-yyy	25	32560	52112	2	<16	277	101	32.2
GBPNR-1202-CS-032-xxxx-yyy	32	36816	58906	2	<16	277	101	32.2
GBPNR-1202-CS-040-xxxx-yyy	40	32560	52112	2	<16	277	101	32.2
GBPNR-1202-CS-064-xxxx-yyy	64	16992	27184	2	<16	277	101	32.2
GBPNR-1203-CS-060-xxxx-yyy	60	36816	58906	3	<18	304	128	36.6
GBPNR-1203-CS-080-xxxx-yyy	80	36816	58906	3	<18	304	128	36.6
GBPNR-1203-CS-100-xxxx-yyy	100	36816	58906	3	<18	304	128	36.6
GBPNR-1203-CS-120-xxxx-yyy	120	32560	52112	3	<18	304	128	36.6
GBPNR-1203-CS-160-xxxx-yyy	160	36816	58906	3	<18	304	128	36.6
GBPNR-1203-CS-200-xxxx-yyy	200	32560	52112	3	<18	304	128	36.6
GBPNR-1203-CS-256-xxxx-yyy	256	36816	58906	3	<18	304	128	36.6
GBPNR-1203-CS-320-xxxx-yyy	320	32560	52112	3	<18	304	128	36.6
GBPNR-1203-CS-512-xxxx-yyy	512	16992	27184	3	<18	304	128	36.6

Part numbers are based on the specifications of the motor being matched to the gearbox.

-xxxx denotes motor pilot, -yyy denotes input shaft diameter.

For more information contact an Anaheim Automation Applications Engineer for assistance.

Radial Load:	449 lbs - Force	Axial Load:	629 lbs - Force
Operating Temperature:	-25° C - 90°C	Noise Level:	75 dB
Maximum Input Speed:	6,500 RPM	Design Life:	20,000 hours
Efficiency:	88% - 94%	IP Rating:	IP 54 / 55