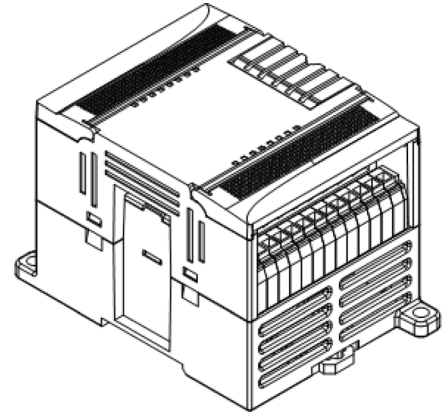


KNC-PLC-K680 - Expansion Modules



FEATURES

- **Input Voltage: 85-265VAC**
- **Output Rated Current: 5V 1A / 24V 250mA**
- **If Using More than 7 Expansion Modules the KNC-PLC-K680 is Recommended**
- **Software Does Not Require Configuration**
- **Does Not Use the Address of I/O Image Area**
- **Does Not Count as CPU Expansion Module**



DESCRIPTION

The KNC-PLC-K680 Expansion Power Supply Module. K6 PLCs can accommodate up to 14 expansion modules. Because it does not have I/O or communication functionality, the K680 can be used in addition to 14 other expansion modules, for a total of 15.

SPECIFICATIONS

Parameter	KNC-PLC-K680
Voltage	AC85-265V
Output Rated Current	5V 1A/24V 250mA
Signal Display	PW light will be on when the Power Supply is correct.
Module Width	75mm

L011979

KNC-PLC-K680 - Expansion Modules



EXPANSION

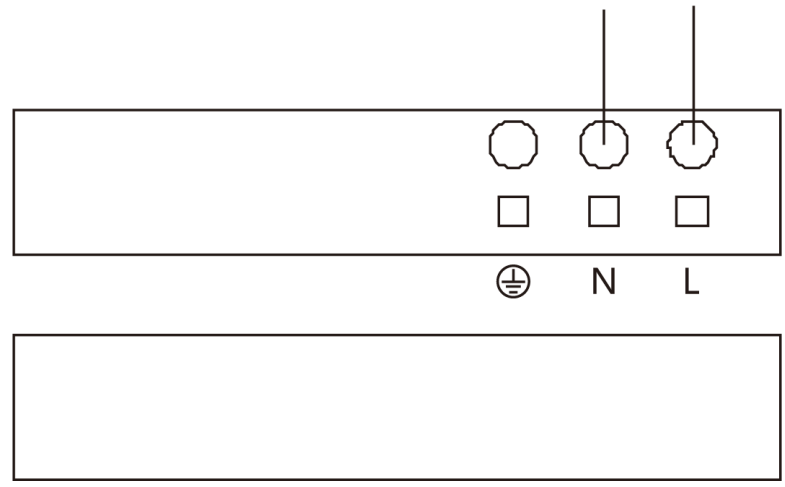
(Example of Expansion Modules Connected Together)



WIRING DIAGRAM

KNC-PLC-K680

Power supply AC220V

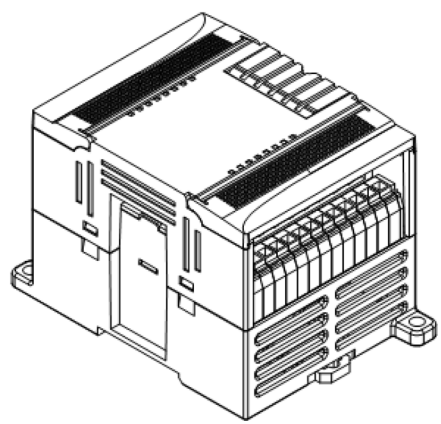
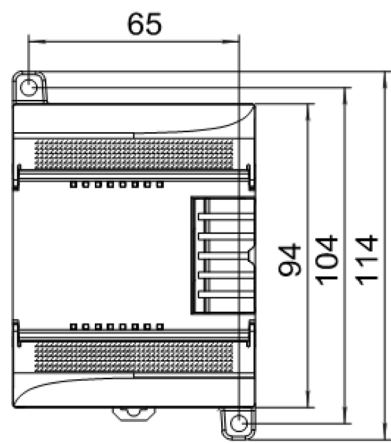
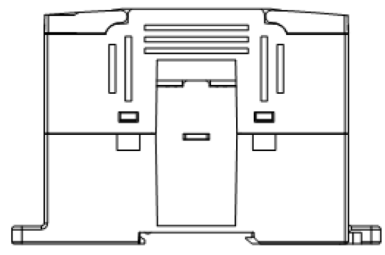
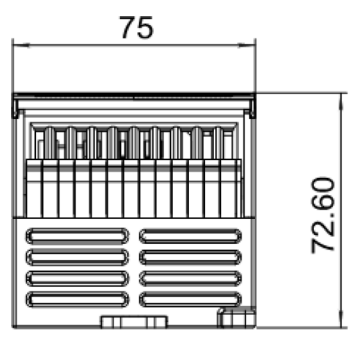


L011979

KNC-PLC-K680 - Expansion Modules



DIMENSIONS



Units are in mm

L011979