

KNC-PLC-K621S Input Expansion Module



FEATURES

- **Digital Inputs: 16 Channels**
- **Inputs (PNP/NPN)**
- **Powered by Expansion Bus**
- **16 Channels (8 Channels/Group)**
- **Power Supply: 24VDC**

DESCRIPTION

SPECIFICATIONS



The KNC-PLC-K621S Expansion Modules are offered with 16 Digital Inputs (PNP/NPN). The optional expansion modules are attached to the KNC-PLC-K615S CPU to expand beyond the onboard inputs and outputs. The KNC-PLC-K615S CPUs can handle up to 272 I/O points with a maximum of 16 K6S expansion modules.

Parameter	KNC-PLC-K621S-16DX
Input Points	16 channels (8 channels/group)
Input Type	Source/Sink (PNP/NPN)
Input Voltage	Rated: 24 VDC
Power Supply	Powered by Expansion Bus
Input Range	The maximum input voltage for signal "0" is 5V and the current is 0.8mA. The minimum input voltage for signal "1" is 11V and the current is 2mA.
Input Delay	Turn-on <18us Turn-off <50us
Isolation	Optical Isolation
Ethernet	1 Ethernet, support Modbus TCP Client/Server industrial bus protocol. Support free transmission in TCP client/TCP server mode, free transmission in UDP peer mode, program upload/download, and firmware upgrades.
CAN	1 CAN (RJ45, with terminal resistor) Support CANOPEN, free communication in CAN, supports Kinco motion control functions, and Kinco motion control protocol supports a maximum of 16 connected nodes.
Module Width	38 mm

L011994

KNC-PLC-K621S Input Expansion Module



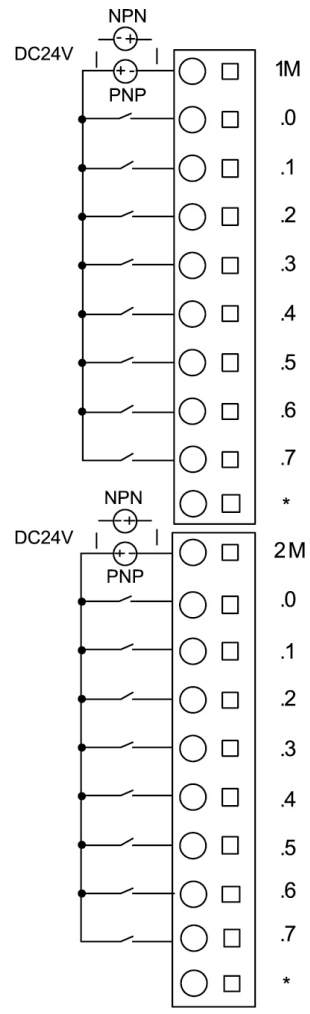
EXPANSION

(Example of Expansion Modules Connected Together)



WIRING DIAGRAM

KNC-PLC-K621S-16DX



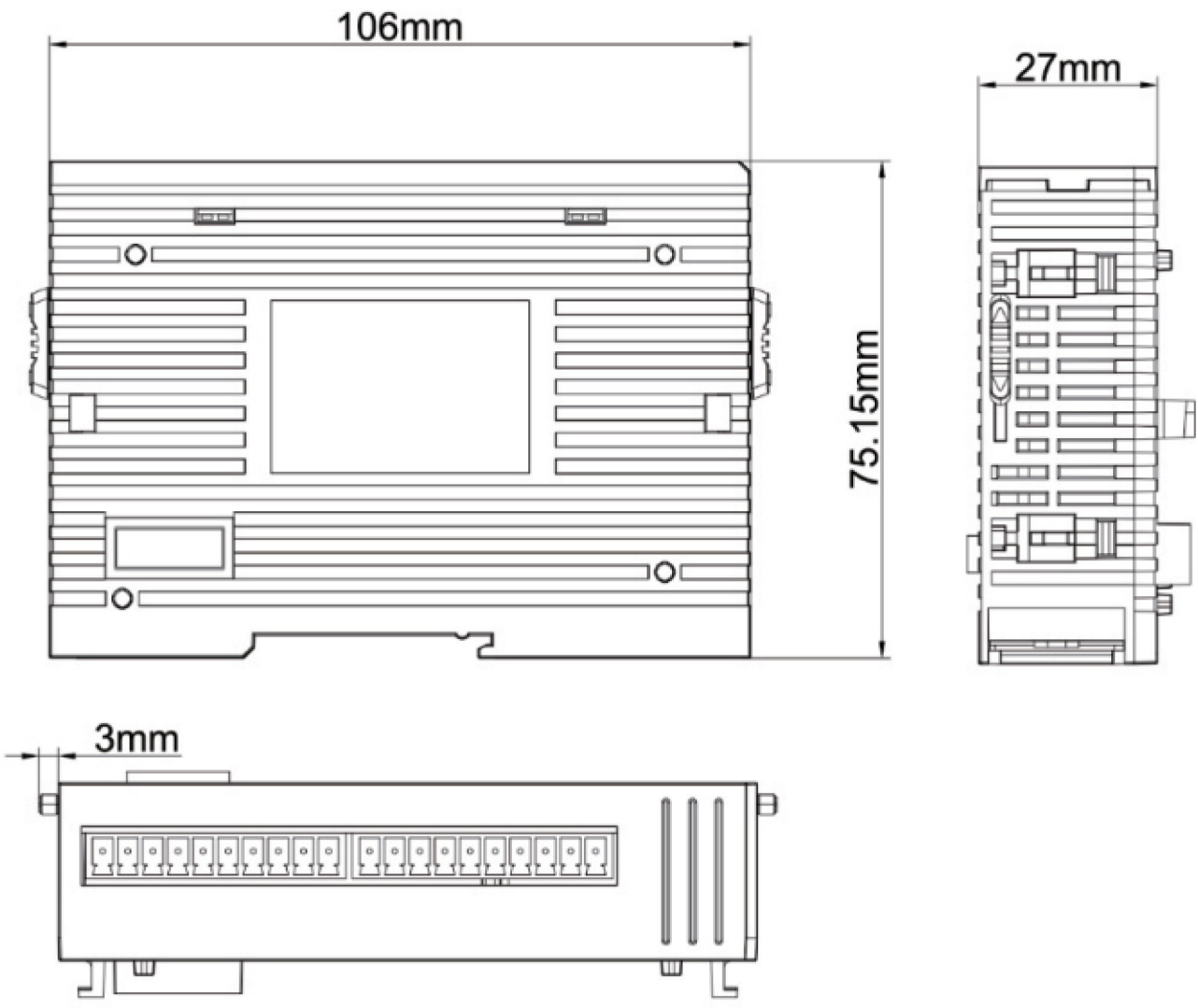
L011994

KNC-PLC-K621S Input Expansion Module



KNC-PLC-K621S-16DX

DIMENSIONS



L011994