

KNC-PLC-K631S Analog Input Modules



FEATURES

- **4 Channels of Thermocouple Input (04TC)**
- **4 Channels of Thermal Resistance (RTD Input (04RD)**
- **24-bit Resolution**
- **Support J-type, K-type, E-type, S-type, T-type Thermocouples (04TC)**
- **Cold Junction Compensation, External Compensation Optional (04TC)**
- **Support PT100, Cu50, Pt1000 Resistance Forms (04RD)**
- **Support two-wire, three-wire, connection methods (04RD)**
- **Accuracy 0.1% F.S. (Full Scale) (04TC)**
- **Temperature $\pm 0.6^{\circ}\text{C}$; Resistance ± 10 (04RD)**



DESCRIPTION

The KNC-PLC-K631S Expansion Modules are offered with 4 Analog Inputs for temperature sensing. The optional expansion modules are attached to the KNC-PLC-K615S CPU to expand beyond the onboard inputs and outputs. The KNC-PLC-K615S CPUs can handle up to 272 I/O points with a maximum of 16 K6S expansion modules.

SPECIFICATIONS

Parameter	KNC-PLC-K631S-04TC
Channels(TC)	4
Type of Signal	J-type, K-type, E-type, S-type, T-type
Compensation Method	Thermocouple cold junction compensation (CJC) options include internal and external compensation.
Resolution (including sign bit)	24 bits
Accuracy	0.1% F.S.
Conversion Rate (per channel)	Approximately 1 time/second
Input Impedance	>20K Ω
Status Indication	The corresponding channel LED will turn red to indicate that the input value has exceeded the selected range.
AI Image Area	8 Bytes (2 Bytes/Channel)
AO Image Area	-

L011997

KNC-PLC-K631S Analog Input Modules

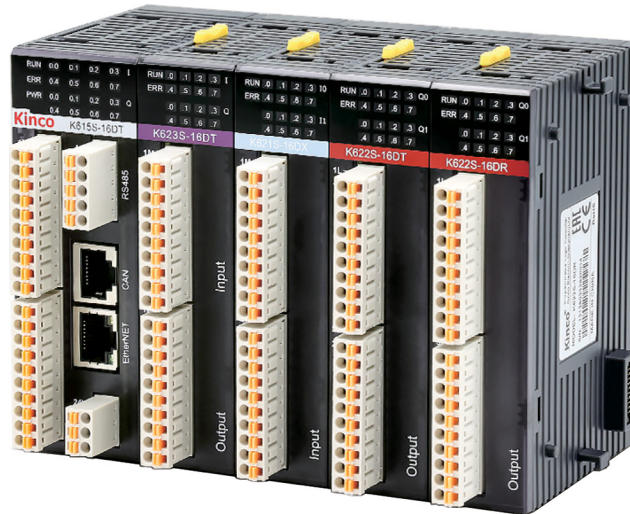


SPECIFICATIONS

Parameter	KNC-PLC-K631S-04RD
Channels(RDT)	4
Rated Power Supply	DC 24V, ≥100mA
Type of Signal	Pt100, Cu50, Pt1000, Resistor
Wiring-type	Two-wire or Three-wire
Resolution (including sign bit)	24 bits
Accuracy	Temperature: ±
Conversion Rate (per channel)	Approximately 1 time/second
Status Indication	The corresponding channel LED will turn red to indicate that the input value has exceeded the selected range.
AI Image Area	8 Bytes (2 Bytes/Channel)
AO Image Area	-

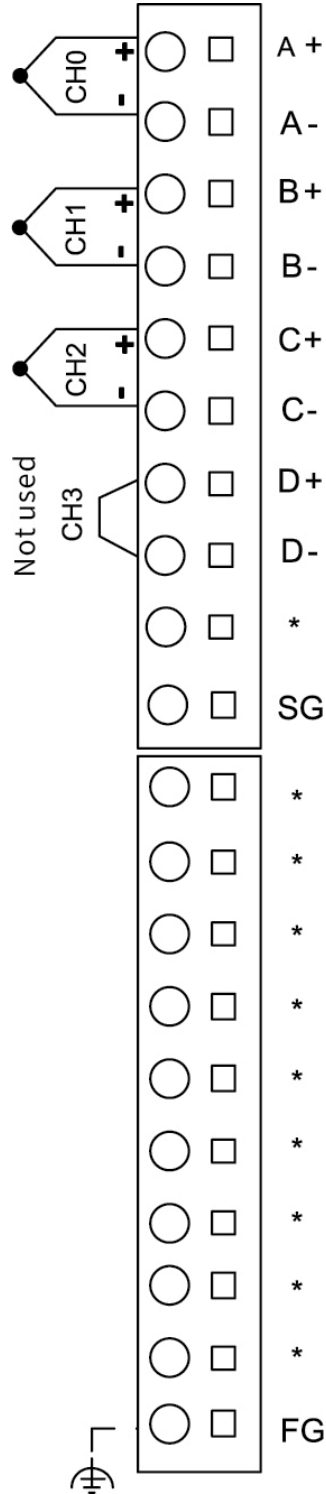
EXPANSION

(Example of Expansion Modules Connected Together)

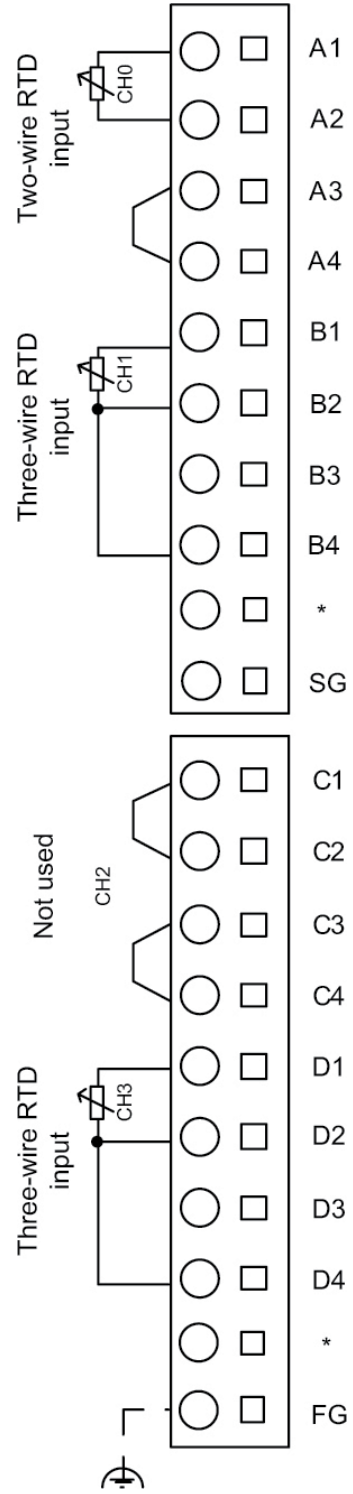


L011997

KNC-PLC-K631S-04TC



KNC-PLC-K631S-04RD

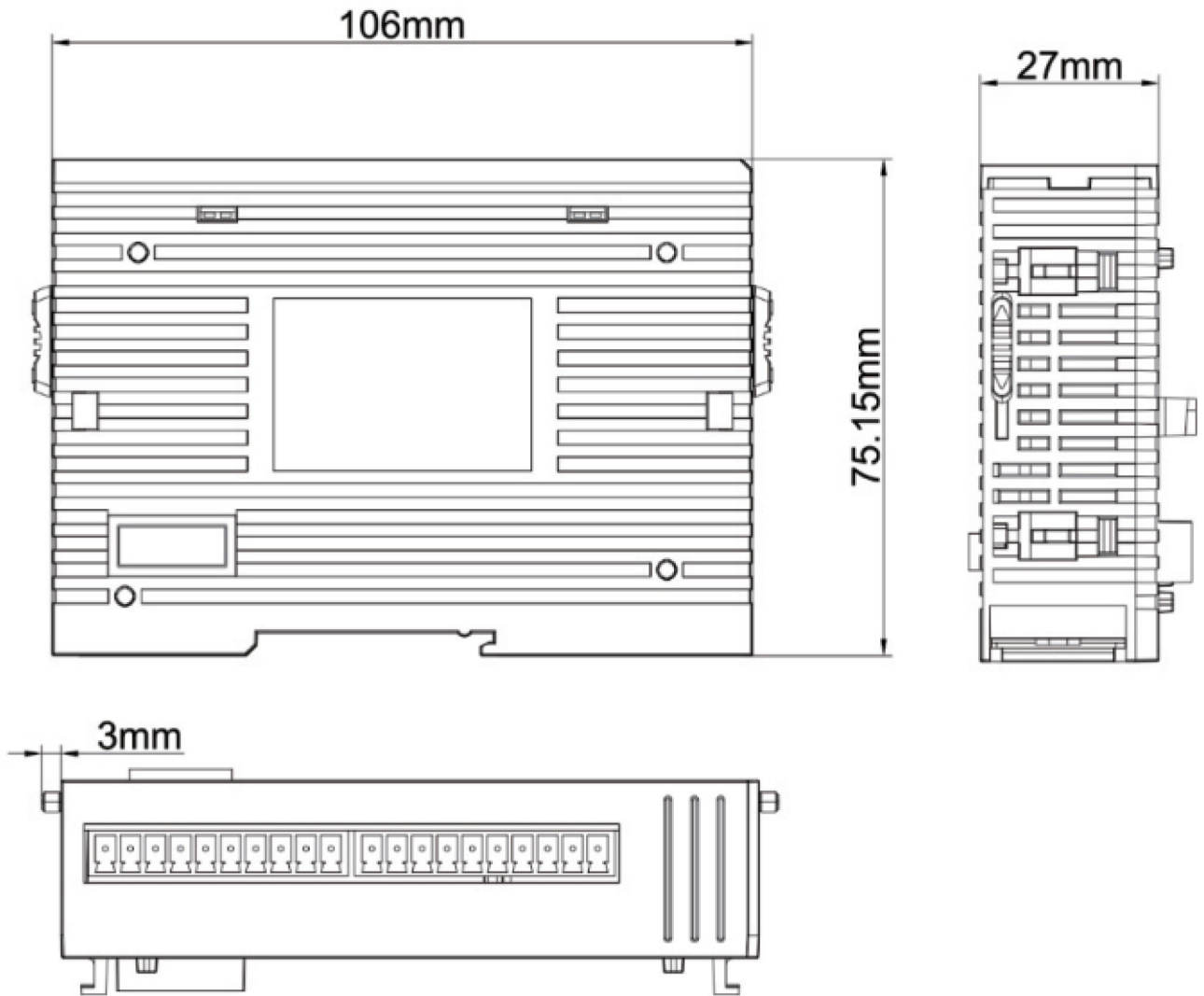


KNC-PLC-K631S Analog Input Modules



DIMENSIONS

KNC-PLC-K631S



L011997