

KNC-SRV-MD60-040 - Integrated Servo System



FEATURES

- 400 Watt
- 24-70VDC, Rated 48VDC
- 60mm Frame Size
- 16 bit Magnetic Absolute Encoder
- 3000 RPM Rated Speed
- 180 oz-in Rated Torque
- Modbus RTU or CANopen
- Position and Speed Control
- RS232 and RS485/CAN Port



DESCRIPTION

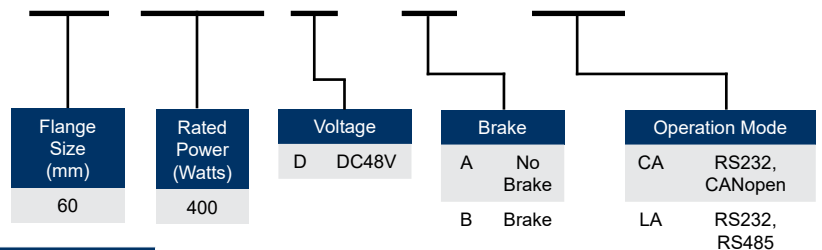
The KNC-SRV-MD60-040 Integrated Servo System includes a 400 Watt Servo Motor, operated by the Servo Drive. Each system includes a Servo Motor ranging from a size of 60mm square, power rating of 400 Watts, with a Servo Drive attached to the top of the Servo Motor. These packages are ideal and provide easy start-ups, convenience, and performance. The Servo Motors included in these packages provide torque up to 539 oz-in. The Servo Drive is designed to switch dynamically among different control methods for more flexible operation and can operate position control mode either with pulse and direction inputs, internal position points, or internal speed points.

Note: The CBL-AA7462 Cable is required for programming the KNC-SRV-MD Series Integrated Servos via Kinco Servo+ Software.

Item	Rated Output Power (Watts)	Rated Voltage (VDC)	Rated Speed (RPM)	Rated Torque (oz-in)	Rated Current (Arms)	Inertia (oz-in-sec ²)	Peak Torque (oz-in)	Max Speed (RPM)	Brake (24VDC)	Motor Length (mm)	Shaft Diameter (mm)
KNC-SRV-MD60-040-DMAK-LA-000	400	48	3000	180	10	0.00573	539	4000	No	155.2	14
KNC-SRV-MD60-040-DMAK-CA-000	400	48	3000	180	10	0.00573	539	4000	No	155.2	14

ORDERING INFORMATION

KNC-SRV-MD60-040-DMAK-LA-000



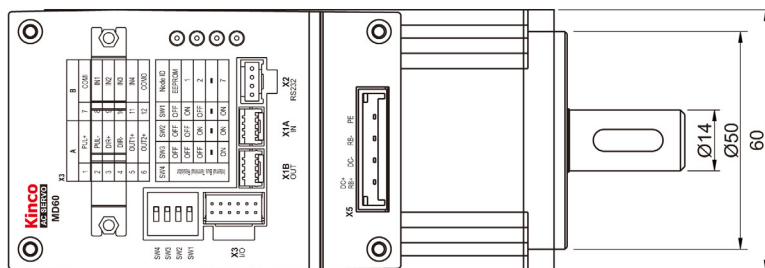
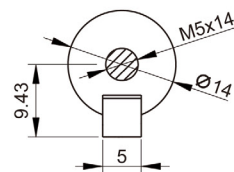
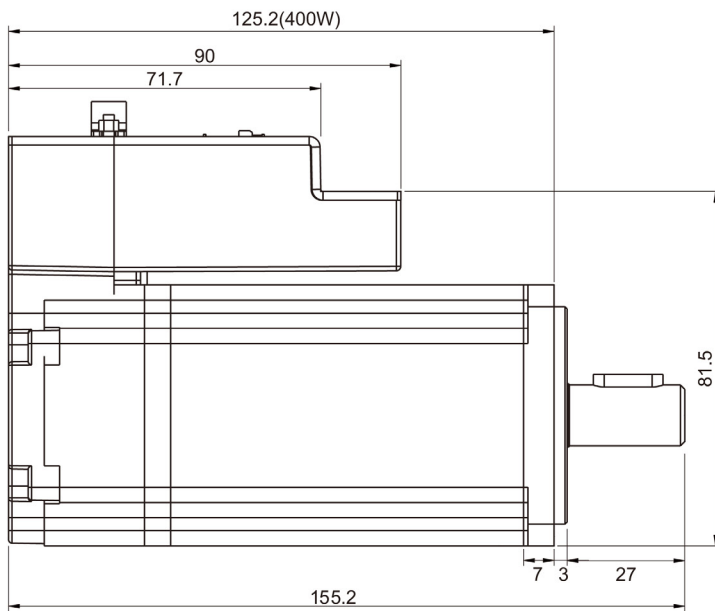
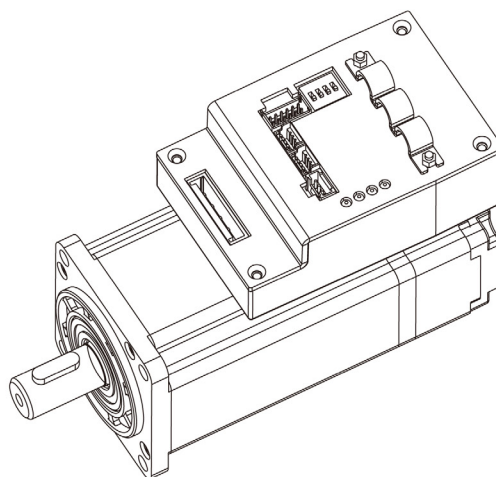
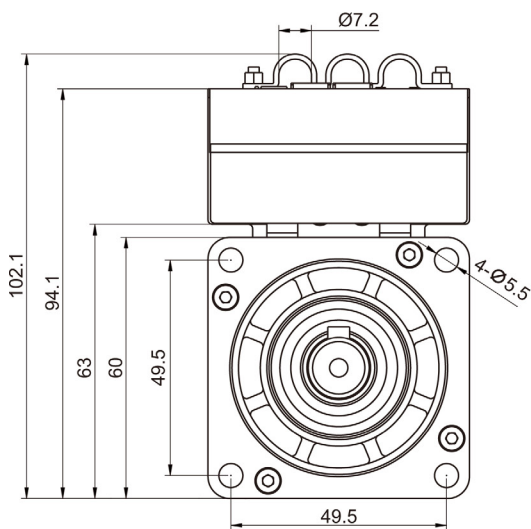
Part Number	Description
CBL-AA7404A	X1A RS485 Cable, Flying Leads
CBL-AA7405A	X3 I/O Cable, Flying Leads
CBL-AA7407A	X2 RS232 Cable, Flying Leads
CBL-AA7415A	X1B to X1A Multi-Drop RS485 Cable
CBL-AA7462A-05	X2 RS232 to DB9 Serial Programming Cable

L011904

KNC-SRV-MD60-040 - Integrated Servo System



DIMENSIONS



Dimensions are in mm

KNC-SRV-MD60-040 - Integrated Servo System

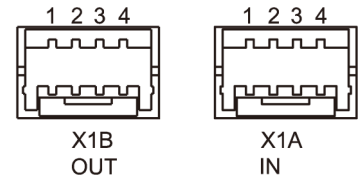


INTERFACE DESCRIPTION

CAN BUS		RS485	
PIN	Signal	PIN	Signal
1	GND	1	GND
2	GND	2	GND
3	CAN_L	3	485+
4	CAN_H	4	485-

or

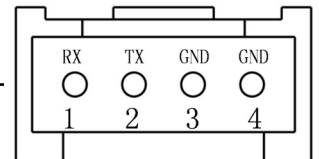
CAN BUS or RS485 Port X1



Housing: JST ZER-04-S
Pins: JST SZE-002T-P0.3

RS232 Port	
PIN Number	Signal
1	RX
2	TX
3	GND
4	GND

RS232 Communication Interface X2

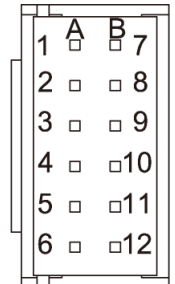


Housing: CJT A2008H-04P
Pins: CJT A2008-TP

Digital Signal Input and Output Port			
PIN No.	Signal	PIN No.	Signal
1	PUL+	7	COMI
2	PUL-	8	IN1
3	DIR+	9	IN2
4	DIR-	10	IN3
5	OUT1+	11	IN4
6	OUT2+ / BR+	12	COMO

Digital Input/Output Terminals X3

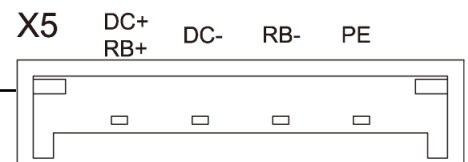
- PUL+, PUL-, DIR+, DIR- Pulse signal input terminal
Input voltage: 3.3V~24V
Maximum Frequency 500kHz
- X3 OUT1+, OUT2+, COMO Digital signal output
Maximum output current: 100mA
- IN1, IN2, IN3, IN4, COMI Digital signal input
High level: 12.5VDC-30VDC
Low level: 0VDC-5VDC
Input frequency: <1KHz



Housing: A2008H-2X6P
Pins: CON-A2008-TP-A

Power Input External Brake Resistor	
DC+, DC- PE	DC+, DC-: DC power input (24~70V) PE: ground
RB+, RB-	RB+, RB-: External brake resistor

X5



Housing: Dinkle 0226-0704

Note: Every unit comes with associated housings and pins for each connector

KNC-SRV-MD60-040 - Integrated Servo System



TECHNICAL SPECIFICATIONS

Model Parameter		KNC-SRV-MD60-040 Series
Power	Main Supply Voltage	DC24V~70V
Current	Rated Current (RMS)	10A
	Peak Current (PEAK)	36A
Weight (lbs)		3.53
Rated Speed (rpm)		3000
Rated Torque (oz-in)		180
Maximum Torque (oz-in)		539
Feedback Signal		16 bit Single-Turn Magnetolectric Encoder
Brake Chopper		Via Wiring an External Braking Resistor (Mainly in Quick Start and Stop Application).
Brake Chopper Threshold		DC73V \pm 2V (Default Value, Adjustable via Software)
Over-Voltage Alarming Threshold		DC83V \pm 2V
Under-Voltage Alarming Threshold		DC18V \pm 2V
Cooling Method		Natural Air Cooling
Input Specification		COMI Terminal for 4 Digital Inputs High Level: 12.5VDC~30VDC Low Level: 0VDC~5VDC Maximum Frequency: 1KHz 2 High Speed Digital Inputs Input Voltage: 3.3V~24V Maximum Frequency: 500KHz
Output Specification		COMO Terminal for 2 Digital Outputs Maximum Output Current: 100mA
Pulse Direction Output		Pulse + Direction, CCW+CW, Phase A+Phase B (5V~24V)
Brake		Built-in Brake Power Supply 24V Maximum Current 0.5A
RS232		Default Baudrate Setting is 38400, the Max. Baudrate is 115.2KHz, use Kinco Software to Communicate with PC, or via Free Protocol to Communicate with Controller.
RS485 / Modbus		The Max. Baudrate is 115.2KHz, use Modbus RTU Protocol to Communicate with Controller.
CAN BUS		Support Maximum 1MHz Baudrate. Communicate with Controller via CANopen Protocol
Mechanical Dimensions (mm) Note: Including Terminal Space		130x95x60
Rotor Moment of Inertia (oz-in-sec ²)		0.00573
Operation Environment	Operating Temperature	0 ~ 40°C
	Storage Temperature	-10°C~70°C
	Humidity (Non-Condensing)	Below 90%RH
	Protection Class	IP20
	Installation Environment	Installed in a Dust-Free, Dry and Lockable Environment (Such as in a Electrical Cabinet)
	Installation Mode	Vertical Installation or Horizontal Installation
	Altitude	Rated Working Altitude at 1000m or Below, Above 1000m: Decreasing 1.5% per 100m Rise, Maximum Altitude 4000m
	Atmospheric Pressure	86kpa-106kpa