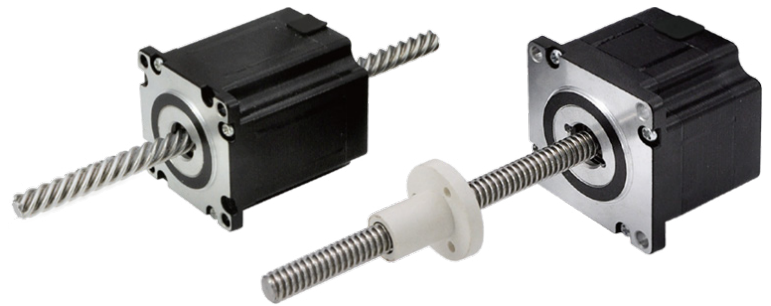


23AW Stepper Linear Actuators



FEATURES

- NEMA Size 23
- Motor Winding Options Available
- Custom Lead Screw Lengths
- Stepper Motor with Internal Nut
- Self Contained Package with Ball Bearings
- 1.8° Step Angle
- Multiple Lead Screw Thread Options
- From 0.007938mm up to 0.0127mm Per Full Step



DESCRIPTION

Anaheim Automation's 23AW leadscrew Stepper Motors were designed to be the most versatile linear position motors in today's market. These robust linear actuators, available in non-captive, external linear, or anti-backlash options, use a NEMA 23 hybrid stepper motor, and can be easily configured to solve difficult application problems. Integration of a leadscrew with a motor saves space, eliminates components, and reduces cost. While many standard configurations are available, custom modifications for OEM customers are welcome.

BUILD A PART NUMBER

23AW1041X12-LW8-NCD

Frame	
NEMA 23	

104	45mm Motor Length 2.0A Rated Current
206	66mm Motor Length 3.0A Rated Current

# Of Lead Wires	
LW8	8

Lead Screw Length "LS"		
CODE	in	mm
01	1	25.4
02	2	50.8
06	6	152.4
12	12	304.8
18	18	457.2

Type	
EL	External Linear
NC	Non-Captive
EA	Anti-Backlash
CS	Captive Shaft*

*Captive Shaft
Max Stroke is 50.8mm(2")

Travel Per Step	
CODE	Travel (mm)
1	0.0254
2	0.0508
3	0.0127
A	0.0079375
S	0.010584
T	0.021166
Z	0.127

Note:
See *Accessories* on our website for optional encoder and/or connector adders.

Accessories	
CODE	Type
Blank	Standard
D	Rear Mounting for Encoder, Extended Shaft/Nut
MA	Connector All
MS	Connector Series

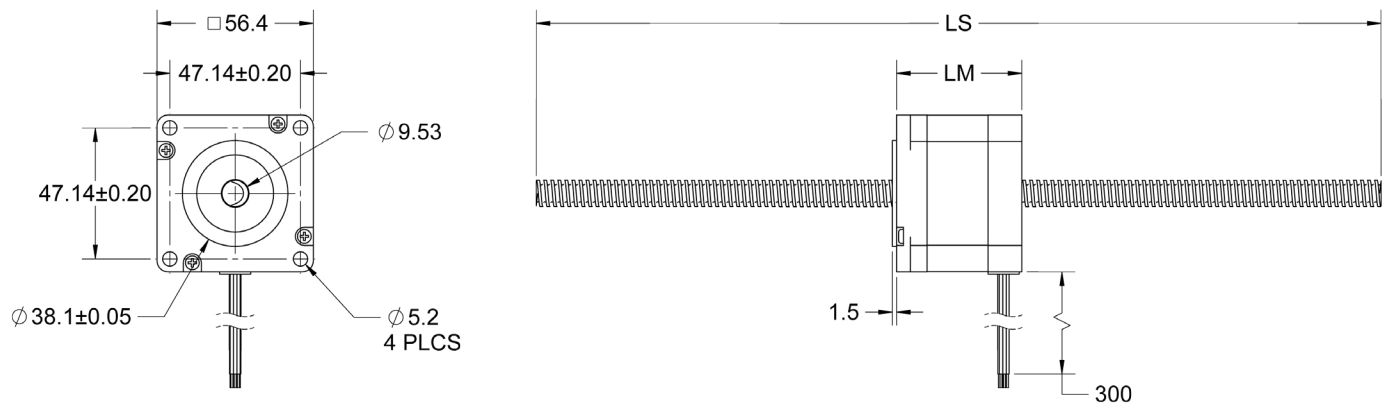
Nut Part #	Description
23AW-1-NUT	Replacement nut for 23AW stepper motor with 0.2mm lead, Leadscrew thread code 1
23AW-3-NUT	Replacement nut for 23AW stepper motor with 0.1mm lead, Leadscrew thread code 3
23AW-A-NUT	Replacement nut for 23AW stepper motor with 0.0625mm lead, Leadscrew thread code A

L011514

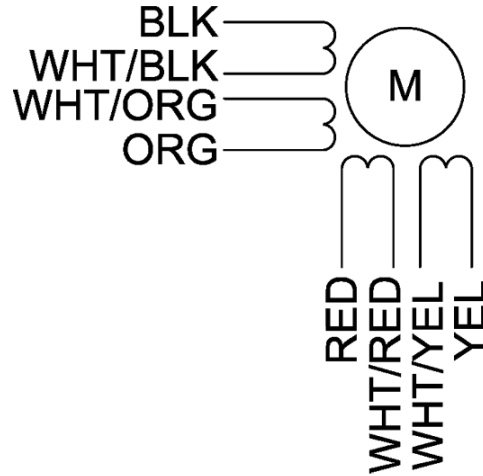
Motor Specifications								
Model Number	Voltage (V)	Bipolar Current (A)	Resistance (ohms)	Inductance (mH)	Number of Leads	Motor Weight (lbs)	Motor Length (mm)	Screw Length (in/mm)
23AW1041X06-LW8-EA	3.2	2.0	1.62 ± 10%	1.9 ± 20%	8	1.12	45.2	6 (152.4)
23AW1041X12-LW8-EL	3.2	2.0	1.62 ± 10%	1.9 ± 20%	8	1.50	45.2	12 (304.8)
23AW1043X12-LW8-NC	3.2	2.0	1.62 ± 10%	1.9 ± 20%	8	1.25	45.2	12 (304.8)
23AW104AX06-LW8-EA	3.2	2.0	1.62 ± 10%	1.9 ± 20%	8	1.12	45.2	6 (152.4)
23AW104AX12-LW8-EL	3.2	2.0	1.62 ± 10%	1.9 ± 20%	8	1.25	45.2	12 (304.8)
23AW2061X12-LW8-NC	3.0	3.0	1.0 ± 10%	1.6 ± 20%	8	2.10	66.0	12 (304.8)
23AW2063X12-LW8-EA	3.0	3.0	1.0 ± 10%	1.6 ± 20%	8	2.11	66.0	12 (304.8)
23AW2063X12-LW8-EL	3.0	3.0	1.0 ± 10%	1.6 ± 20%	8	2.25	66.0	12 (304.8)
23AW206AX12-LW8-NC	3.0	3.0	1.0 ± 10%	1.6 ± 20%	8	2.18	66.0	12 (304.8)
23AW2063X08-LW8-EL-01	3.0	3.0	1.0 ± 10%	1.6 ± 20%	8	2.18	66.0	8 (203.2)
23AW2063X12-LW8-NC	3.0	3.0	1.0 ± 10%	1.6 ± 20%	8	2.18	66.0	12 (304.8)
23AW2063X14-LW8-EL-01	3.0	3.0	1.0 ± 10%	1.6 ± 20%	8	2.18	66.0	14 (355.6)

Leadscrew Thread Dimension				
Code	Diameter (mm)	mm/Step	Lead (mm)	Lead (in)
1	9.53	0.0254	5.08	0.2
2	9.53	0.0508	10.16	0.4
3	9.53	0.0127	2.54	0.1
A	9.53	0.0079375	1.5875	0.0625
S	9.53	0.010584	2.1168	0.0833
T	9.53	0.021166	4.2332	0.167
Z	9.53	0.0127	25.4	1.00

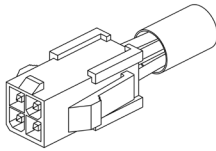
23AW Non-Captive (NC)



Units are in Millimeters

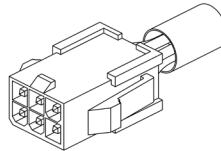


-MS and -MP CABLE ADDERS



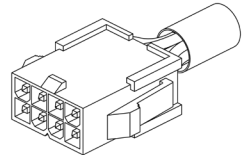
HOUSING: CON-39-01-2041
CONTACTS: CON-39-00-0041 (18-24AWG)

-MU CABLE ADDERS



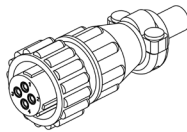
HOUSING: CON-39-01-2061
CONTACTS: CON-39-00-0041 (18-24AWG)

-MA CABLE ADDERS



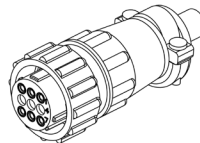
HOUSING: CON-39-01-2081
CONTACTS: CON-39-00-0041 (18-24AWG)

-AS and -AP CABLE ADDERS



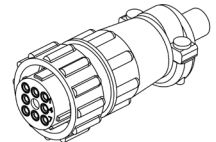
BACKSHELL: CON-206062-1
HOUSING: CON-206060-1
CONTACTS: CON-1-66105-6 (20-24AWG)
CON-66590-1 (16-18AWG)

-AU CABLE ADDERS



BACKSHELL: CON-206966-7
HOUSING: CON-206708-1
CONTACTS: CON-1-66105-6 (20-24AWG)
CON-66590-1 (16-18AWG)

-AA CABLE ADDERS



BACKSHELL: CON-206966-7
HOUSING: CON-206708-1
CONTACTS: CON-1-66105-6 (20-24AWG)
CON-66590-1 (16-18AWG)

FUNCTION	COLOR	-MS/-MP	-AS/-AP
PHASE A+	BLACK	PIN 1	PIN 1
PHASE A-	ORANGE	PIN 2	PIN 2
PHASE B+	RED	PIN 3	PIN 3
PHASE B-	YELLOW	PIN 4	PIN 4

FUNCTION	COLOR	-MU	-AU
PHASE 1	RED	PIN 1	PIN 1
COM 1&3	BLACK	PIN 2	PIN 2
PHASE 3	RED/WHT	PIN 3	PIN 3
PHASE 2	GREEN	PIN 4	PIN 7
COM 2&4	WHITE	PIN 5	PIN 8
PHASE 4	GRN/WHT	PIN 6	PIN 9

FUNCTION	COLOR	-MA	-AA
PHASE A+	BLACK	PIN 1	PIN 1
PHASE A-	BLK/WHT	PIN 2	PIN 2
PHASE C+	ORANGE	PIN 3	PIN 3
PHASE C-	ORG/WHT	PIN 4	PIN 4
PHASE B+	RED	PIN 5	PIN 6
PHASE B-	RED/WHT	PIN 6	PIN 7
PHASE D+	YELLOW	PIN 7	PIN 8
PHASE D-	YEL/WHT	PIN 8	PIN 9