

MBC01081 - Microstep Driver



FEATURES

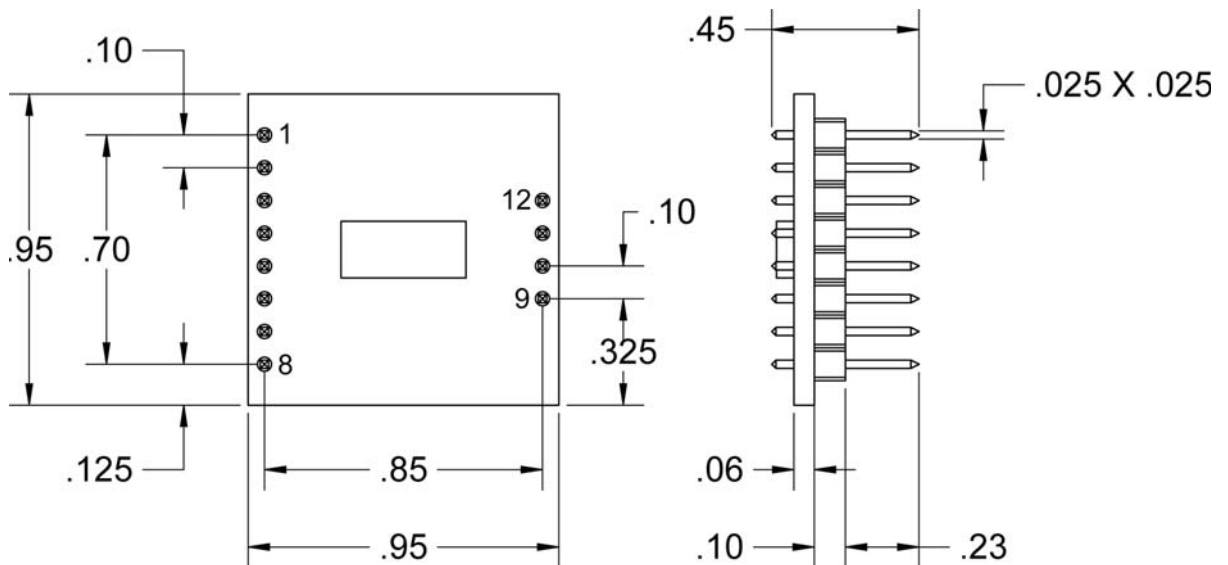
- PCB Board Mount Microstep Driver
- 0.2 - 1.0 Amp Output Current
- Compatible with Size 8, 11, 14, 17, and 23 Frame Stepper Motors
- TTL Compatible Input Signals
- Microstep Divisors of 8, 4, 2, or Full Step
- 10-30VDC Operating Voltage
- Compact Package: 0.95" x 0.95" x 0.45"
- Low-Cost - Excellent Value



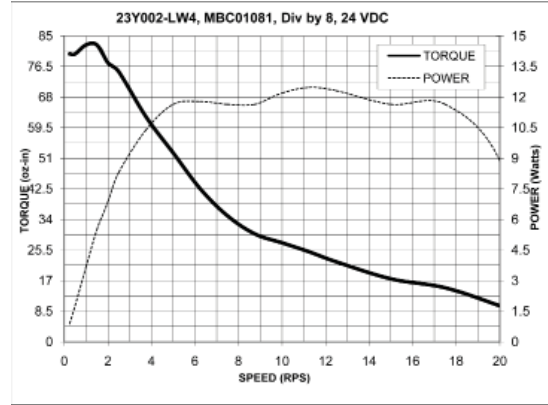
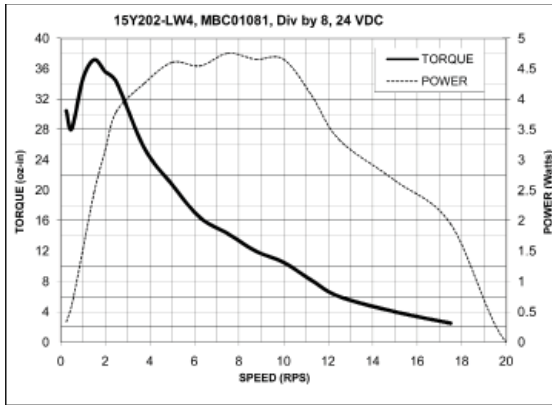
DESCRIPTION

The MBC01081 is a 1.0 amps/phase bipolar microstep driver capable of running four, six and eight lead step motors. The MBC01081 has an output current range of 0.2 to 1.0 amps/phase and operates off 10VDC minimum to 30VDC maximum. The inputs are capable of running from either open collector or TTL level logic outputs from PLCs. The MBC01081 features resolutions from 200-1600 steps/revolution, providing smooth rotary operation, built in over temperature and short circuit shut down, and automatic reduction in current after clock pulses stop being received. The MBC01081 is a compact, low profile package meant to be used where space is limited but performance is expected. With two connector arrays arranged in a 2.54 mm pattern, it allows easy integration and connectivity to the OEM-side mother board.

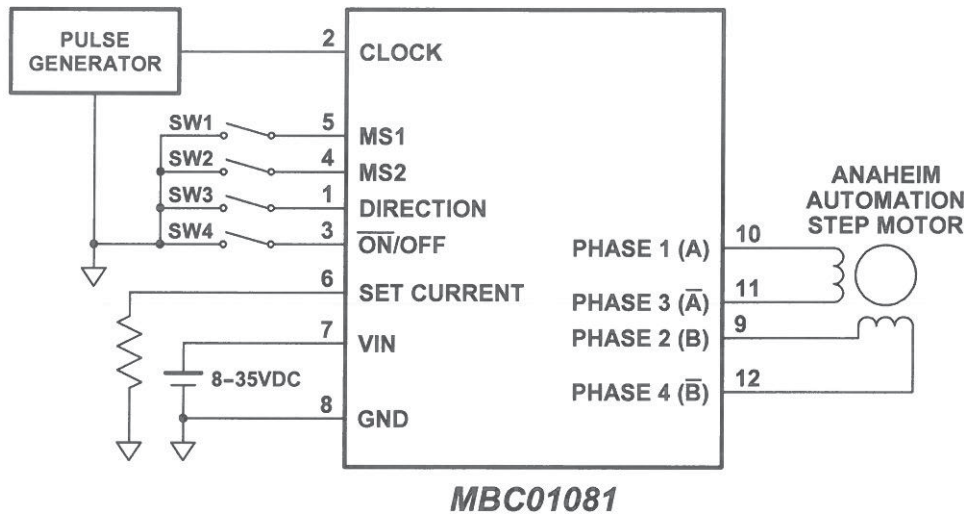
DIMENSIONS



TORQUE CURVES



WIRING DIAGRAM



SPECIFICATIONS

Power Requirements:	10 - 30 VDC	Input Signal Voltage	0-5 VDC
Output Current Range:	0.2 - 1Amp (Peak)	Storage Temperature:	0°-50° C
Microstepping Resolution:	200, 400, 800 and 1600 Steps/Revolution	Absolute Maximum Driver Temperature	70°C
Input Clock Frequency:	0 - 500 KHz	Driver Type	Bipolar, Compatible with 4, 6, and 8 Lead Motors. Series or Parallel Connection
Minimum Input Current:	0.5 mA		

Model #	Description	Input Voltage	Power (Watt)
PSAM24V2.7A	24 VDC Power Supply, Up to 2.7 Amp Capability	90 - 265 VAC	65
MBC01081	1 Amp Microstepping Driver, Resolutions of 200 - 1600	10-30 VDC	-

L011585